

ST 3000 Smart Transmitter Series 900 Gauge Pressure Models

| | | |
|--------|---------------|--------------|
| STG944 | 0 to 500 psi | 0 to 35 bar |
| STG94L | 0 to 500 psi | 0 to 35 bar |
| STG974 | 0 to 3000 psi | 0 to 210 bar |
| STG97L | 0 to 3000 psi | 0 to 210 bar |
| STG98L | 0 to 6000 psi | 0 to 415 bar |

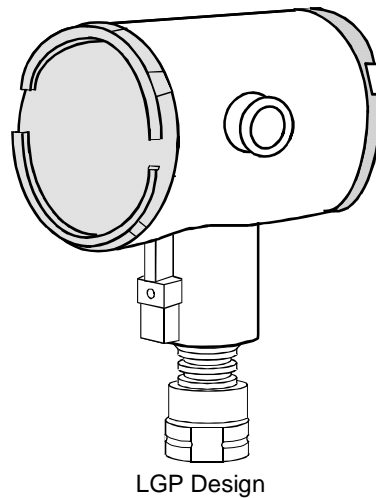
34-ST-03-67
2/00

Specification and Model Selection Guide

Function

Honeywell's ST 3000[®] Series 900 Gauge Pressure Transmitters bring proven "smart" technology to a wide spectrum of gauge pressure measurement applications with varying process interface requirements. They transmit an output signal proportional to the measured variable in either an analog 4 to 20 milliampere format or in a digital DE protocol format for direct digital integration with our TDC 3000^{®X} control system. Additional protocol options available for the ST 3000 Series 900 transmitters include FOUNDATION[™] Fieldbus¹ and HART[®] ². See the Model Selection Guide for help in selecting the correct ordering code for the desired protocol.

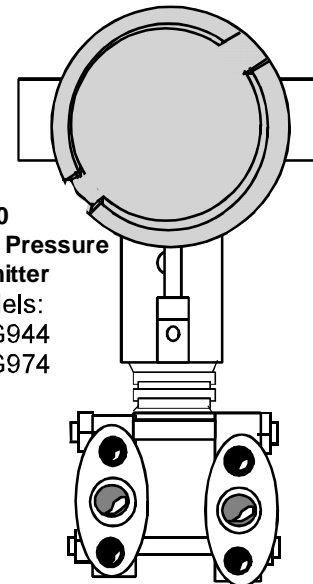
In the standard transmitter you easily select the analog or digital transmission format through the Smart Field Communicator (SFC[®]) which is the common hand-held operator interface for our DE-based Smartline[®] Transmitters. All configuration, operation, and communications functions are under the control of the ST 3000 Smart Transmitter's microprocessor and are accessible through the SFC.



LGP Design

ST 3000 Gauge Pressure Transmitter

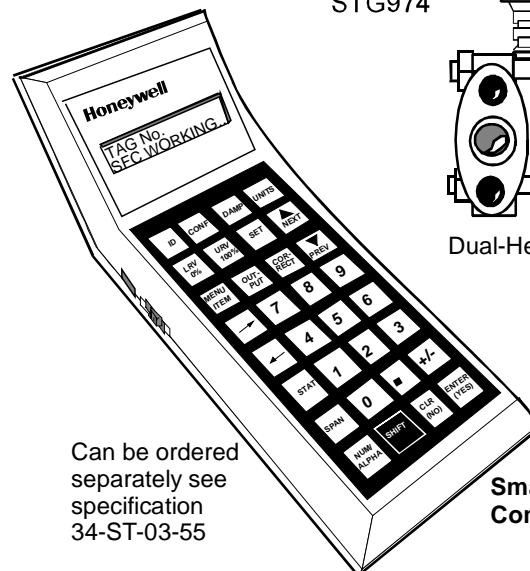
Models:
STG94L
STG97L
STG98L



ST 3000 Gauge Pressure Transmitter

Models:
STG944
STG974

Dual-Head Design



Can be ordered
separately see
specification
34-ST-03-55

Smart Field
Communicator

24251

¹ FOUNDATION[™] Fieldbus is a trademark of the Fieldbus Foundation.

² HART is a registered trademark of the Hart Communication Foundation.

Figure 1—Series 900 Gauge Pressure Transmitters feature proven "smart" technology and come in dual-head and in-line models to meet varying application needs.

| Features | Description | |
|--|---|---|
| <ul style="list-style-type: none"> • Choice of dual-head or in-line model to match process interface requirements. • Direct digital integration with TDC 3000^X system provides local measurement accuracy to the system level without adding typical A/D and D/A converter inaccuracies. • Unique piezoresistive sensor automatically compensates input for temperature. • Added “smart” features include configuring lower and upper range values, simulating accurate analog output, and selecting preprogrammed engineering units for display. • Smart transmitter capabilities with local or remote interfacing means significant manpower efficiency improvements in commissioning, start-up, and ongoing maintenance functions | <p>The ST 3000 transmitter can replace any 4 to 20 milliampere output transmitter in use today, and operates over a standard two-wire system.</p> | <p>Like other Smartline Transmitters, the ST 3000 features two-way communication between the operator and the transmitter through our SFC. You can connect the SFC anywhere that you can access the transmitter signal lines, and it provides the capabilities of transmitter adjustments and diagnostics from remote locations, such as the control room.</p> |
| | <p>The measuring means is a piezoresistive sensor which actually contains a pressure sensor and a temperature sensor.</p> | <p>The transmitter’s meter body and electronics housing resist shock, vibration, corrosion, and moisture. The electronics housing contains a compartment for the single-board electronics, which is isolated from an integral junction box. The single-board electronics is replaceable and interchangeable with any other ST 3000 Series 900 or Series 100e model transmitter.</p> |
| | <p>Microprocessor-based electronics provide higher span-turndown ratio, improved temperature compensation, and improved accuracy.</p> | |

Specifications

Operating Conditions – All Models

| Parameter | Reference Condition (at zero static) | | Rated Condition | | Operative Limits | | Transportation and Storage | |
|---|--|-------|-----------------|-------------|------------------|---------------|----------------------------|------------|
| | °C | °F | °C | °F | °C | °F | °C | °F |
| Ambient Temperature | 25 ±1 | 77 ±2 | -40 to 70 | -40 to 158 | -40 to 85 | -40 to 185 | -55 to 125 | -67 to 257 |
| Meter Body Temperature | 25 ±1 | 77 ±2 | -40 to 110* | -40 to 230* | -40 to 125*** | -40 to 257*** | -55 to 125 | -67 to 257 |
| Humidity %RH | 10 to 55 | | 0 to 100 | | 0 to 100 | | 0 to 100 | |
| Overpressure | | | | | | | | |
| STG944, 94L psi | 0 | | 750 | | 750 | | | |
| bar | 0 | | 50 | | 50 | | | |
| STG974, 97L psi | 0 | | 4500 | | 4500 | | | |
| bar | 0 | | 310 | | 310 | | | |
| STG98L psi | 0 | | 9000 | | 9000 | | | |
| bar | 0 | | 620 | | 620 | | | |
| Vacuum Region - Minimum Pressure | | | | | | | | |
| mmHg absolute | atmospheric | | 25 | | 2 (short term**) | | | |
| inH₂O absolute | atmospheric | | 13 | | 1 (short term**) | | | |
| Supply Voltage, Current, and Load Resistance | Voltage Range: 10.8 to 42.4 Vdc at terminals Current Range: 3.0 to 21.8 mA Load Resistance: 0 to 1440 ohms (as shown in Figure 2) | | | | | | | |

* For model 944 with CTFE fill fluid, the rating is –15 to 70°C (5 to 158°F); for model 98L with CTFE fill fluid, the rating is –15 to 110°C (5 to 230°F).

**Short term equals 2 hours at 70°C (158 °F)

***For Models STG94L, STG97L, and STG98L, the upper limit is 110°C (230°F).

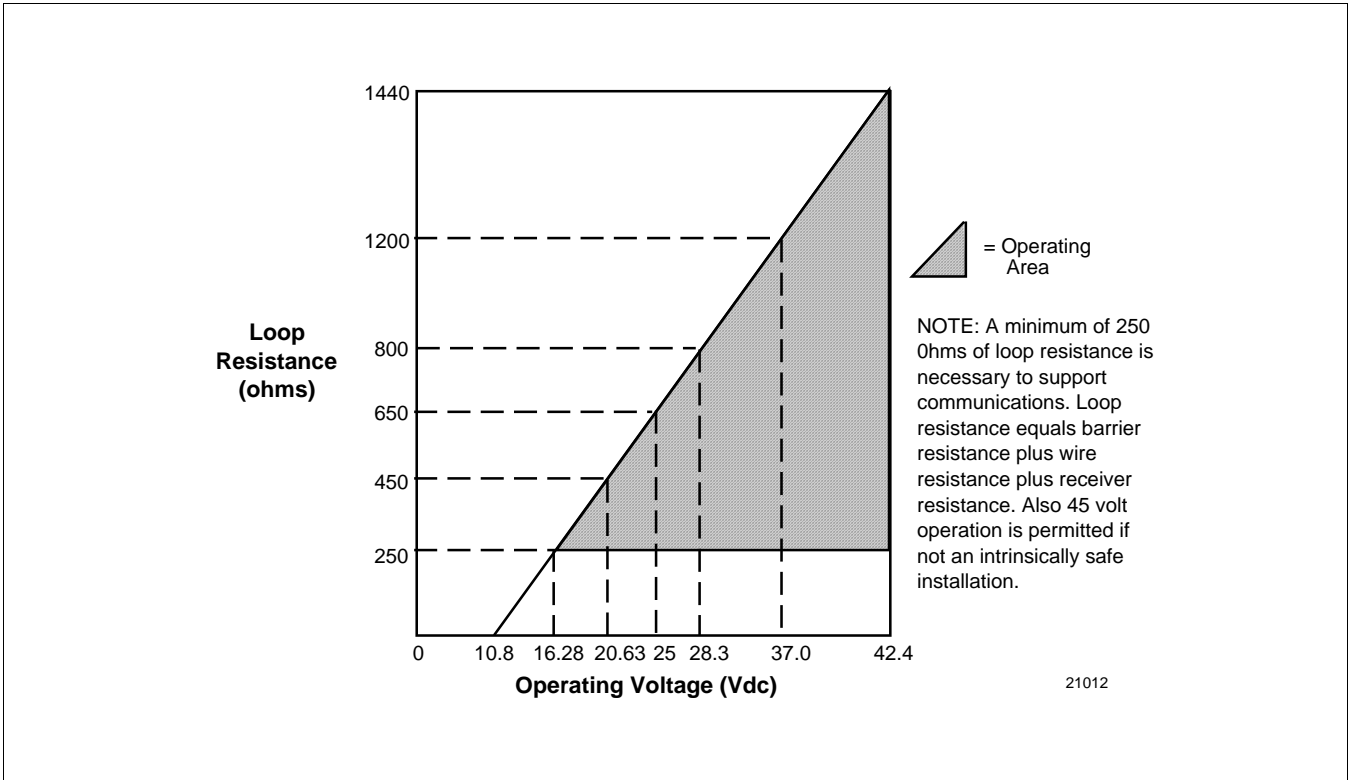


Figure 2—Supply voltage and loop resistance chart.

Performance Under Rated Conditions* - Models STG944 & 94L (0 to 500 psi/35 bar)

| Parameter | Description |
|---|---|
| Upper Range Limit psi bar | 500 35 |
| Minimum Span psi bar | 20 1.4 |
| Turndown Ratio | 25 to 1 |
| Zero Elevation and Suppression | No limit except minimum span from absolute 0 (zero) to +100% URL. Specifications valid over this range. |
| <p>Accuracy (Reference – Includes combined effects of linearity, hysteresis, and repeatability)</p> <ul style="list-style-type: none"> • Accuracy includes residual error after averaging successive readings. • For FOUNDATION Fieldbus use Digital Mode specifications. For HART use Analog Mode specifications. | <p>In Analog Mode: ±0.10% of calibrated span or upper range value (URV), whichever is greater, terminal based.</p> <p>For URV below reference point (20 psi), accuracy equals: $\pm 0.05 + 0.05 \left(\frac{20 \text{ psi}}{\text{span psi}} \right)$ or $\pm 0.05 + 0.05 \left(\frac{1.4 \text{ bar}}{\text{span bar}} \right)$ in % span</p> <p>In Digital Mode: ±0.075% of calibrated span or upper range value (URV), whichever is greater, terminal based.</p> <p>For URV below reference point (20 psi), accuracy equals: $\pm 0.025 + 0.05 \left(\frac{20 \text{ psi}}{\text{span psi}} \right)$ or $\pm 0.025 + 0.05 \left(\frac{1.4 \text{ bar}}{\text{span bar}} \right)$ in % span</p> |
| Zero Temperature Effect per 28°C (50°F) | <p>In Analog Mode: ±0.1625% of span.</p> <p>For URV below reference point (50 psi), effect equals: $\pm 0.0125 + 0.15 \left(\frac{50 \text{ psi}}{\text{span psi}} \right)$ or $\pm 0.0125 + 0.15 \left(\frac{3.5 \text{ bar}}{\text{span bar}} \right)$ in % span</p> <p>In Digital Mode: ±0.15% of span.</p> <p>For URV below reference point (50 psi), effect equals: $\pm 0.15 \left(\frac{50 \text{ psi}}{\text{span psi}} \right)$ or $\pm 0.15 \left(\frac{3.5 \text{ bar}}{\text{span bar}} \right)$ in % span</p> |
| Combined Zero and Span Temperature Effect per 28°C (50°F) | <p>In Analog Mode: ±0.25% of span.</p> <p>For URV below reference point (50 psi), effect equals: $\pm 0.10 + 0.15 \left(\frac{50 \text{ psi}}{\text{span psi}} \right)$ or $\pm 0.10 + 0.15 \left(\frac{3.5 \text{ bar}}{\text{span bar}} \right)$ in % span</p> <p>In Digital Mode: ±0.225% of span.</p> <p>For URV below reference point (50 psi), effect equals: $\pm 0.075 + 0.15 \left(\frac{50 \text{ psi}}{\text{span psi}} \right)$ or $\pm 0.075 + 0.15 \left(\frac{3.5 \text{ bar}}{\text{span bar}} \right)$ in % span</p> |
| Stability | ±0.03% of URL per year |

* Performance specifications are based on reference conditions of 25°C (77°F), 10 to 55% RH, and 316L Stainless Steel barrier diaphragm.

Performance Under Rated Conditions* - Models STG974 & 97L (0 to 3000 psi/210 bar)

| Parameter | Description |
|---|--|
| Upper Range Limit psi bar | 3000 210 |
| Minimum Span psi bar | 300 21 |
| Turndown Ratio | 10 to 1 |
| Zero Elevation and Suppression | No limit except minimum span from absolute 0 (zero) to +100% URL. Specifications valid over this range. |
| <p>Accuracy (Reference – Includes combined effects of linearity, hysteresis, and repeatability)</p> <ul style="list-style-type: none"> Accuracy includes residual error after averaging successive readings. For FOUNDATION Fieldbus use Digital Mode specifications. For HART use Analog Mode specifications. | <p>In Analog Mode: ±0.1% of calibrated span or upper range value (URV), whichever is greater, terminal based. For URV below reference point (750 psi), accuracy equals: $\pm 0.05 + 0.05 \left(\frac{750 \text{ psi}}{\text{span psi}} \right) \text{ or } \pm 0.05 + 0.05 \left(\frac{52 \text{ bar}}{\text{span bar}} \right) \text{ in } \% \text{ span}$</p> <p>In Digital Mode: ±0.075% of calibrated span or upper range value (URV), whichever is greater, terminal based. For URV below reference point (300 psi), accuracy equals: $\pm 0.025 + 0.05 \left(\frac{750 \text{ psi}}{\text{span psi}} \right) \text{ or } \pm 0.025 + 0.05 \left(\frac{52 \text{ bar}}{\text{span bar}} \right) \text{ in } \% \text{ span}$</p> |
| Zero Temperature Effect per 28°C (50°F) | <p>In Analog Mode: ±0.2125% of span. For URV below reference point (500 psi), effect equals: $\pm 0.0125 + 0.20 \left(\frac{500 \text{ psi}}{\text{span psi}} \right) \text{ or } \pm 0.0125 + 0.20 \left(\frac{35 \text{ bar}}{\text{span bar}} \right) \text{ in } \% \text{ span}$</p> <p>In Digital Mode: ±0.20% of span. For URV below reference point (500 psi), effect equals: $\pm 0.20 \left(\frac{500 \text{ psi}}{\text{span psi}} \right) \text{ or } \pm 0.20 \left(\frac{35 \text{ bar}}{\text{span bar}} \right) \text{ in } \% \text{ span}$</p> |
| Combined Zero and Span Temperature Effect per 28°C (50°F) | <p>In Analog Mode: ±0.325% of span. For URV below reference point (500 psi), effect equals: $\pm 0.125 + 0.20 \left(\frac{500 \text{ psi}}{\text{span psi}} \right) \text{ or } \pm 0.125 + 0.20 \left(\frac{35 \text{ bar}}{\text{span bar}} \right) \text{ in } \% \text{ span}$</p> <p>In Digital Mode: ±0.30% of span. For URV below reference point (500 psi), effect equals: $\pm 0.10 + 0.20 \left(\frac{500 \text{ psi}}{\text{span psi}} \right) \text{ or } \pm 0.10 + 0.20 \left(\frac{35 \text{ bar}}{\text{span bar}} \right) \text{ in } \% \text{ span}$</p> |
| Stability | ±0.03% of URL per year |

* Performance specifications are based on reference conditions of 25°C (77°F), 10 to 55% RH, and 316L Stainless Steel barrier diaphragm.

Performance Under Rated Conditions* - Model STG98L (0 to 6000 psi/415 bar)

| Parameter | Description |
|--|--|
| Upper Range Limit psi bar | 6000 415 |
| Minimum Span psi bar | 500 35 |
| Turndown Ratio | 12 to 1 |
| Zero Elevation and Suppression | No limit except minimum span from absolute 0 (zero) to +100% URL. Specifications valid over this range. |
| Accuracy (Reference – Includes combined effects of linearity, hysteresis, and repeatability) <ul style="list-style-type: none"> • Accuracy includes residual error after averaging successive readings. • For FOUNDATION Fieldbus use Digital Mode specifications. For HART use Analog Mode specifications. | <p>In Analog Mode: ±0.2% of calibrated span or upper range value (URV), whichever is greater, terminal based.</p> <p>For URV below reference point (1000 psi), accuracy equals: $\pm 0.05 + 0.15 \left(\frac{1000 \text{ psi}}{\text{span psi}} \right)$ or $\pm 0.05 + 0.15 \left(\frac{70 \text{ bar}}{\text{span bar}} \right)$ in % span</p> <p>In Digital Mode: ±0.175% of calibrated span or upper range value (URV), whichever is greater, terminal based.</p> <p>For URV below reference point (1000 psi), accuracy equals: $\pm 0.025 + 0.15 \left(\frac{1000 \text{ psi}}{\text{span psi}} \right)$ or $\pm 0.025 + 0.15 \left(\frac{70 \text{ bar}}{\text{span bar}} \right)$ in % span</p> |
| Zero Temperature Effect per 28°C (50°F) | <p>In Analog Mode: ±0.2125% of span.</p> <p>For URV below reference point (1000 psi), effect equals: $\pm 0.0125 + 0.20 \left(\frac{1000 \text{ psi}}{\text{span psi}} \right)$ or $\pm 0.0125 + 0.20 \left(\frac{70 \text{ bar}}{\text{span bar}} \right)$ in % span</p> <p>In Digital Mode: ±0.20% of span.</p> <p>For URV below reference point (1000 psi), effect equals: $\pm 0.20 \left(\frac{1000 \text{ psi}}{\text{span psi}} \right)$ or $\pm 0.20 \left(\frac{70 \text{ bar}}{\text{span bar}} \right)$ in % span</p> |
| Combined Zero and Span Temperature Effect per 28°C (50°F) | <p>In Analog Mode: ±0.325% of span.</p> <p>For URV below reference point (1000 psi), effect equals: $\pm 0.125 + 0.20 \left(\frac{1000 \text{ psi}}{\text{span psi}} \right)$ or $\pm 0.125 + 0.20 \left(\frac{70 \text{ bar}}{\text{span bar}} \right)$ in % span</p> <p>In Digital Mode: ±0.30% of span.</p> <p>For URV below reference point (1000 psi), effect equals: $\pm 0.10 + 0.20 \left(\frac{1000 \text{ psi}}{\text{span psi}} \right)$ or $\pm 0.10 + 0.20 \left(\frac{70 \text{ bar}}{\text{span bar}} \right)$ in % span</p> |
| Stability | ±0.03% of URL per year |

* Performance specifications are based on reference conditions of 25°C (77°F), 10 to 55% RH, and 316L Stainless Steel barrier diaphragm.

Performance Under Rated Conditions - General for all Models

| Parameter | Description |
|--|--|
| Output (two-wire) | Analog 4 to 20 mA or DE digital communications mode. Options available for FOUNDATION Fieldbus and HART protocol. |
| Supply Voltage Effect | 0.005% span per volt. |
| Damping Time Constant | Adjustable from 0 to 32 seconds digital damping. |
| CE Conformity (Europe) | 89/336/EEC, Electromagnetic Compatibility (EMC) Directive. |
| Lightning Protection Option (Code "LP") | Leakage Current: 10 microamps max. @ 42.4 VDC, 93°C Impulse Rating: 10/20 μ sec. 5,000 Amps (50 strikes) 10,000 Amps (20 strikes) (rise/decay) 10/1000 μ sec. 250 Amps (1000 strikes) 500 Amps (400 strikes) |

Physical and Approval Bodies

| Parameter | Description |
|------------------------------------|--|
| Barrier Diaphragms Material | Dual-Head Meter Body: 316L SS, Hastelloy C-276 In-Line Meter Body: 316L SS, Hastelloy C-276 |
| Process Head Material | Dual-Head Meter Body: 316 SS, Carbon Steel (zinc-plated), Hastelloy. [Reference head is Carbon Steel (zinc-plated).] In-Line Meter Body: 316 SS process interface. |
| Head Gaskets | Teflon is standard. Viton is available. |
| Meter Body Bolting | Carbon Steel (Zinc plated, standard) or A286 SS (NACE) bolts and 302/304 SS (NACE) nuts for heads and 316 SS (NACE) bolts for adapters (standard option). |
| Mounting Bracket | Carbon Steel (Zinc-plated) or Stainless Steel angle bracket or Carbon Steel flat bracket available. |
| Fill Fluid | Silicone oil or CTFE (Chlorotrifluoroethylene) |
| Electronic Housing | Epoxy-Polyester hybrid paint. Low Copper-Aluminum. Meets NEMA 4X (watertight) and NEMA 7 (explosion proof). Stainless steel optional. |
| Process Connections | Dual-Head Meter Body: 1/4-inch NPT; 1/2-inch NPT with adapter or DIN, standard option. In-Line Meter Body: 1/2-inch NPT |
| Wiring | Accepts up to 16 AWG (1.5 mm diameter). |
| Mounting | Can be mounted in virtually any position using the standard mounting bracket. Bracket is designed to mount on 2-inch (50 mm) vertical or horizontal pipe. See Figure 3 for dual-head models, and Figure 4 for in-line models. |
| Dimensions | See Figures 5 and 6. |
| Net Weight | With Dual-Head Meter Body: 9 pounds (4.1 Kg) With In-Line Meter Body: 3.8 pounds (1.7 Kg) |
| Approval Bodies | Approved as explosion proof and intrinsically safe for use in Class I, Division 1, Groups A, B, C, D locations, and nonincendive for Class I, Division 2 Groups A, B, C, D locations. Approved EEx ia IIC T5 and EEx d IIC T6 per CENELEC standards; and Ex N II T5 per BS 6941. Series 900 with HC (HART) Compatibility is self certified for Zone 2, T5, maximum 42V/22 mA. |

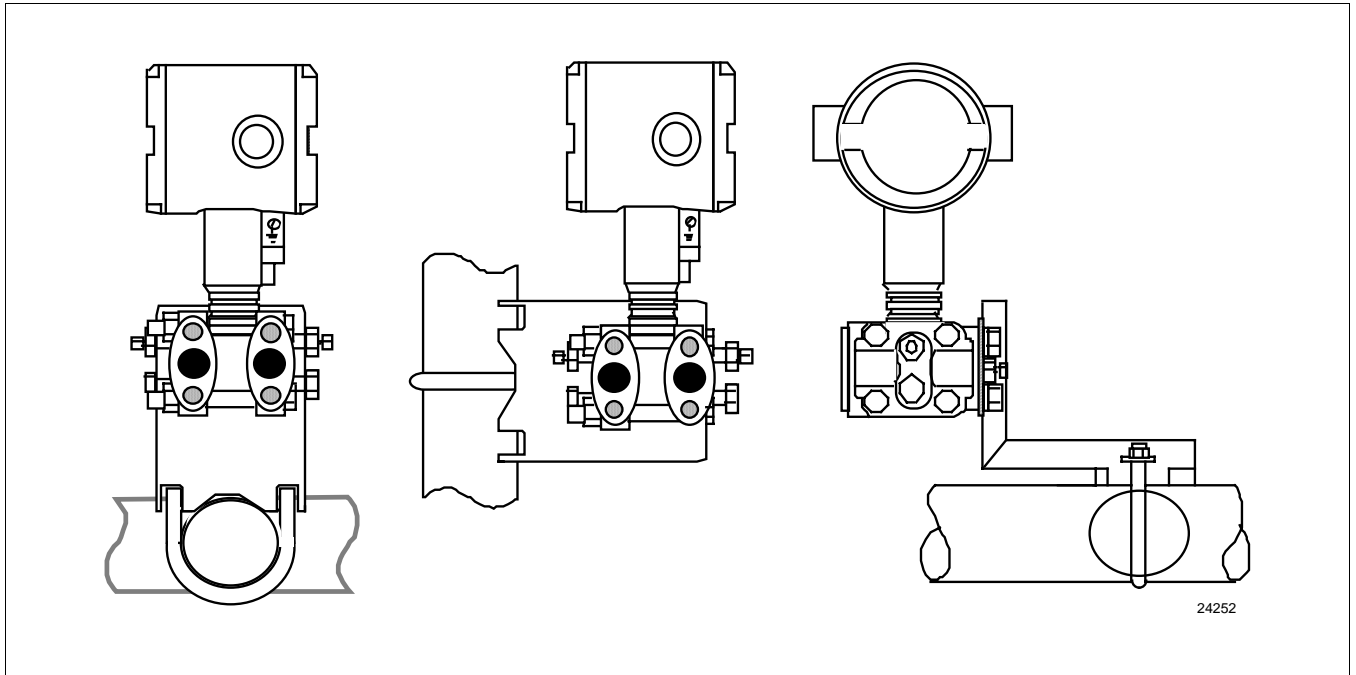


Figure 3—Examples of typical mounting positions for dual-head models STG944 and STG974

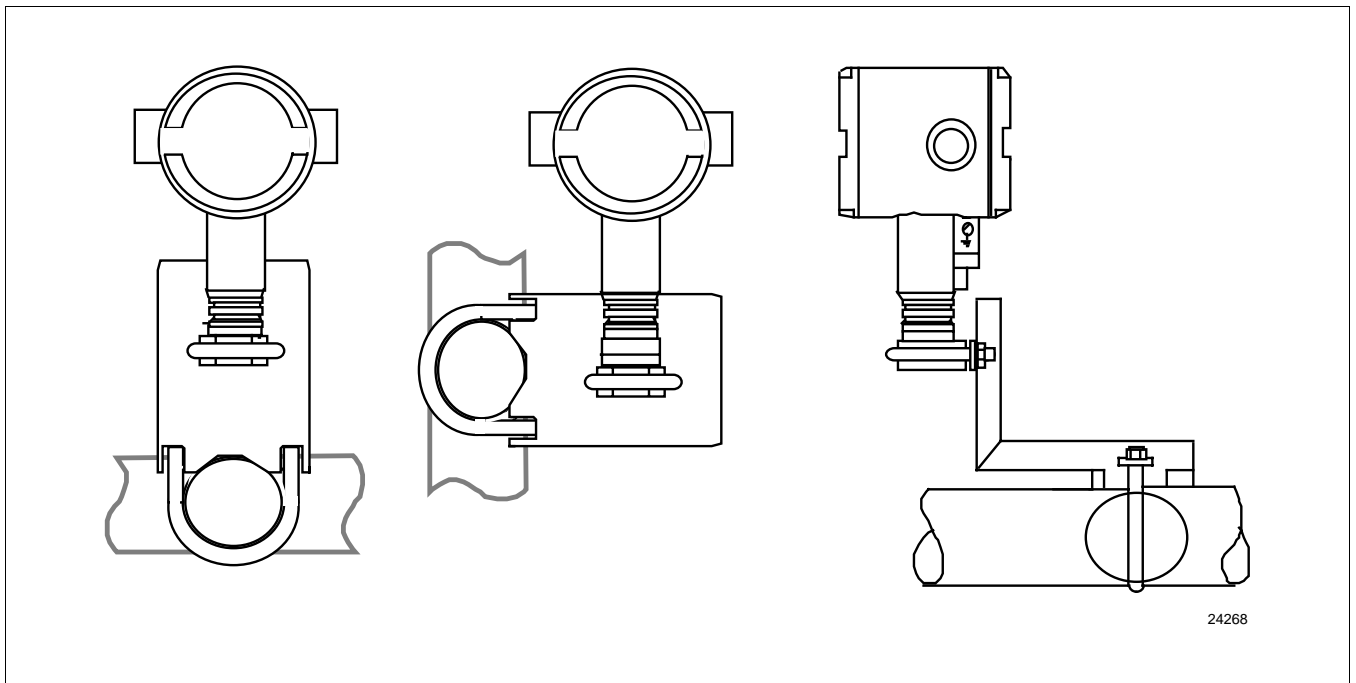
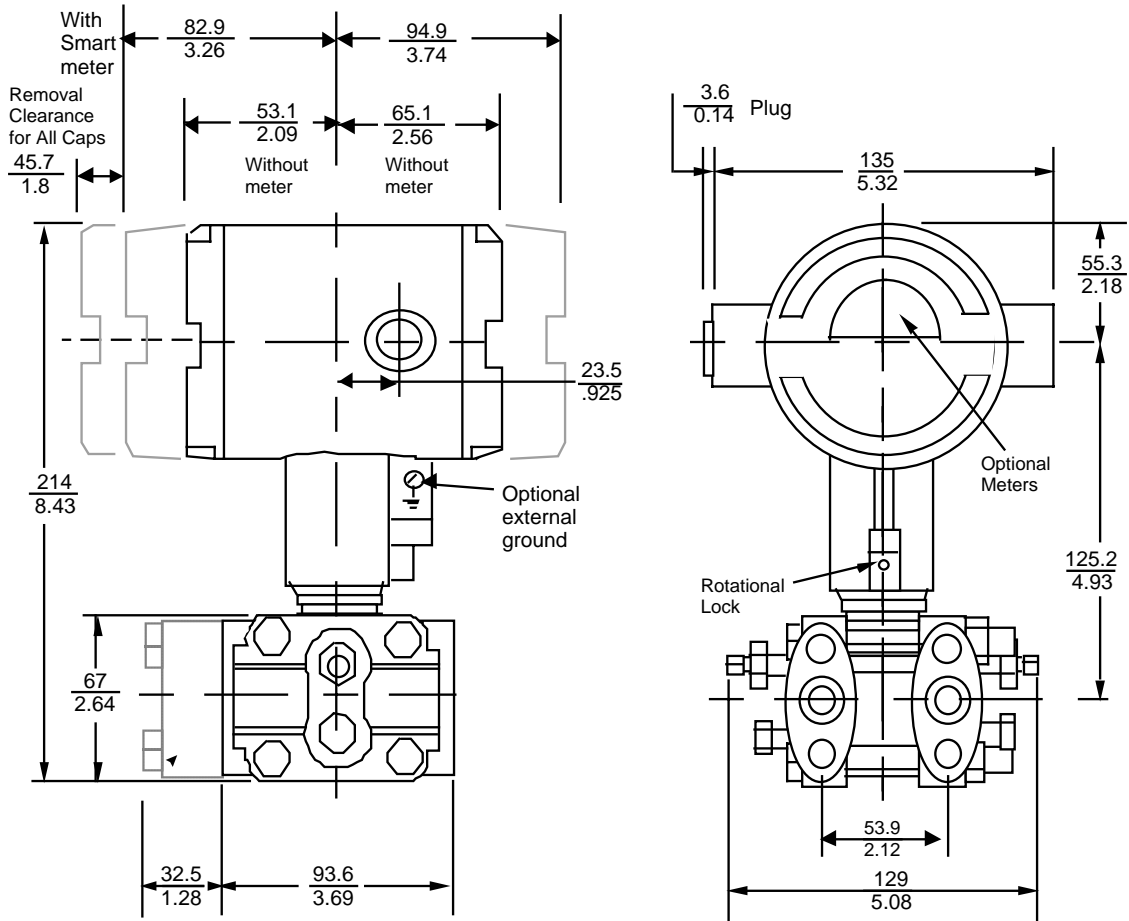


Figure 4—Examples of typical mounting positions for in-line models STG94L, STG97L, and STG98L. Note that a mounting bracket is not required for in-line models.

Reference Dimensions: $\frac{\text{millimeters}}{\text{inches}}$



24254

Figure 5—Typical mounting dimensions for dual-head models STG944 and STG974 for reference

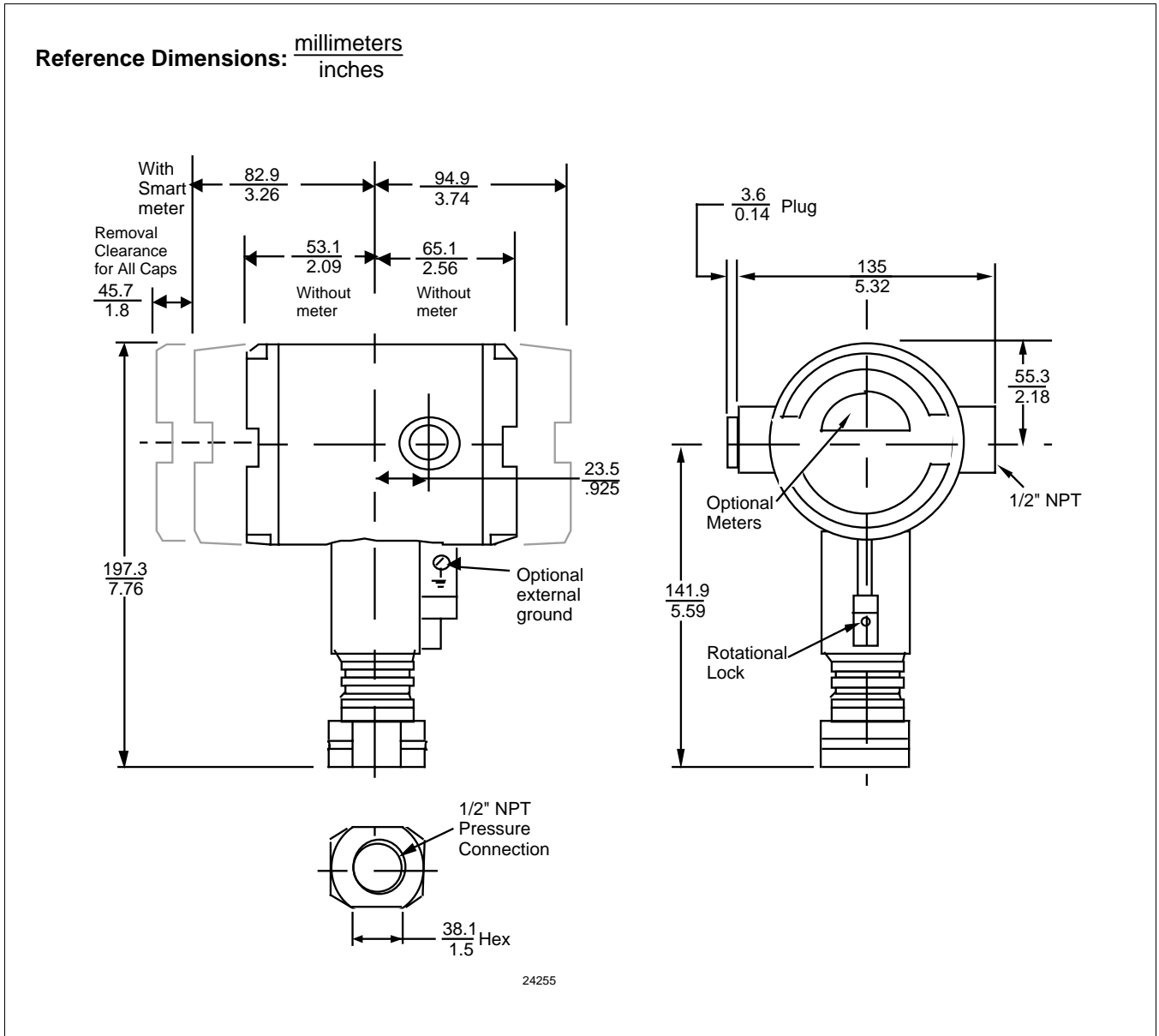


Figure 6—Typical mounting dimensions for in-line models STG94L, STG97L, and STG98L for reference

| Options | Ordering Information |
|--|--|
| <p>Mounting Bracket The angle mounting bracket is available in either zinc-plated carbon steel or stainless steel and is suitable for horizontal or vertical mounting on a two inch (50 millimeter) pipe, as well as wall mounting. An optional flat mounting bracket is also available in carbon steel for two inch (50 millimeter) pipe mounting.</p> | <p>Contact your nearest Honeywell sales office, or</p> <p>In the U.S.:</p> <p style="text-align: center;">Honeywell Industrial Automation & Control 16404 N. Black Canyon Highway Phoenix, AZ 85023 1-800-288-7491</p> |
| <p>Indicating Meter Two integral meter options are available. An analog meter (option ME) is available with a 0 to 100% linear scale. The Smart Meter (option SM) provides an LCD display for both analog and digital output and can be configured to display pressure in pre-selected engineering units.</p> | <p>In Canada:</p> <p style="text-align: center;">The Honeywell Centre 155 Gordon Baker Rd. North York, Ontario M2H 3N7 1-800-461-0013</p> |
| <p>Lightning Protection A terminal block is available with circuitry that protects the transmitter from transient surges induced by nearby lightning strikes.</p> | <p>In Latin America:</p> <p style="text-align: center;">Honeywell Inc. 480 Sawgrass Corporate Parkway, Suite 200 Sunrise, FL 33325 (954) 845-2600</p> |
| <p>HART Protocol Compatibility (Option HC) An optional electronics module is available for the Series 900 that provides HART Protocol compatibility. Transmitters with the HART Option are compatible with the AMS System. (Contact your AMS Supplier if an upgrade is required.)</p> | <p>In Europe:</p> <p style="text-align: center;">Honeywell PACE 1, Avenue du Bourget B-1140 Brussels, Belgium [32-2] 728-2111</p> |
| <p>Configuration of the HART Option transmitter is accomplished using a Universal HART Communicator. For full functionality the communicator must contain the Honeywell Device Description (DD). Contact your nearest Honeywell office or distributor for further information regarding this option.</p> | <p>In Asia:</p> <p style="text-align: center;">Honeywell Asia Pacific Inc. Room 3213-25 Sun Hung Kai Centre No. 30 Harbour Road Wanchai, Hong Kong 2829-8298</p> |
| <p><i>Specifications are subject to change without notice. (Note that specifications may differ slightly for transmitters manufactured before October 30, 1995.)</i></p> | <p>In the Pacific:</p> <p style="text-align: center;">Honeywell Limited 5 Thomas Holt Drive North Ryde NSW 2113 Australia (61 2) 9353 7000</p> <p>Or, visit Honeywell on the World Wide Web at: http://www.honeywell.com</p> |

Model Selection Guide

Instructions

- Select the desired Key Number. The arrow to the right marks the selection available.
- Make one selection from each table, I and II, using the column below the proper arrow. Select as many Table III options as desired (if no options are desired, specify 00). A dot denotes unrestricted availability. A letter denotes restricted availability. Restrictions follow Table IV.

Key Number - I - II - III (Optional) + IV
----- - --- - ----- - -, --- + XXXX

| KEY NUMBER | | Selection | Availability | |
|-------------|---------------------------------------|-----------|--------------|---|
| Span | | | | |
| Gage | 0-20 to 0-500 psi/0-1.4 to 0-35 bar | STG944 | ↓ | |
| | 0-300 to 0-3000 psi/0-21 to 0-210 bar | STG974 | ↓ | |
| Pressure | 0-20 to 0-500 psi/0-1.4 to 0-35 bar | STG94L | | ↓ |
| | 0-300 to 0-3000 psi/0-21 to 0-210 bar | STG97L | | ↓ |
| | 0-500 to 0-6000 psi/0-35 to 0-415 bar | STG98L | | ↓ |

TABLE I - METER BODY

| | Wetted Process Head *** | Vent/Drain Valve ** | Barrier Diaphragms | | |
|--------------------------|-------------------------|---------------------|--------------------|-------|-----|
| Material of Construction | Carbon Steel * | 316 St. St. | 316 LSS | A __ | • |
| | Carbon Steel * | 316 St. St. | Hastelloy C | B __ | • |
| | 316 St. St. | 316 St. St. | 316 LSS | E __ | • • |
| | 316 St. St. | 316 St. St. | Hastelloy C | F __ | • • |
| | Hastelloy C | Hastelloy C | Hastelloy C | J __ | • |
| Fill Fluid | Silicone DC200 | | | _ 1 _ | • • |
| | CTFE | | | _ 2 _ | • • |
| Process Head | 1/4" NPT | | | _ _ A | • |
| Configuration | 1/2" NPT with Adapter | | | _ _ G | t |
| | 1/2" NPT | | | _ _ G | • |

TABLE II

| | | |
|--------------|-------|-----|
| No Selection | 00000 | • • |
|--------------|-------|-----|

* Carbon Steel heads are zinc-plated. Not recommended for water service due to hydrogen migration. Use Stainless Steel heads.

** Vent/Drains are Teflon coated for lubricity.

*** The standard reference head for the STG9XX is carbon steel (zinc-plated). See Table III for a stainless steel reference (HR) head option.

Note: End vent drain valve standard for STG9XX.

Model Selection Guide, continued

| TABLE III - OPTIONS | Selection | Availability | | | |
|---|-----------|--------------|----|----|----|
| | | 44 | 74 | 7L | 8L |
| None | 00 | • | • | | |
| Viton Process Head Gaskets (teflon is standard) | VT | • | | | |
| Teflon Process Head Gaskets (viton is standard) | TF | | | | |
| A286SS (NACE) Bolts and 302/304SS (NACE) Nuts for Heads | CR | • | | | |
| Analog Meter (0-100 Even 0-10 Square Root) | ME | • | • | | |
| Smart Meter | SM | • | • | | |
| Stainless Steel Customer Wired-On Tag | TG | • | • | | |
| (4 lines, 28 characters per line, customer supplied information) | | | | | |
| Stainless Steel Customer Wired-On Tag (blank) | TB | • | • | | |
| Adapter Flange - 1/2" NPT St. Steel | S1 | c | | | |
| Adapter Flange - 1/2" NPT Hastelloy-C | T1 | c | | | |
| Modified DIN Process Heads - 316SS | DN | w | | | |
| Mounting Bracket - Carbon Steel | MB | • | • | | |
| Mounting Bracket - ST. ST. | SB | • | • | | b |
| Flat Mounting Bracket - Carbon Steel | FB | • | • | | |
| 316 ST.ST. Electronics Housing with M20 Conduit Connections | SH | m | m | | |
| 1/2" NPT to M20 316SS Conduit Adapter (BASEEFA EEx d IIC) | A1 | n | n | | b |
| 1/2" NPT to 3/4" NPT 316 SS Conduit Adapter | A2 | u | u | | |
| Side Vent/Drain | SV | d | | | |
| Custom Calibration and I.D. in Memory | CC | • | • | | |
| Transmitter Configuration | TC | • | • | | |
| Write Protection | WP | • | • | | |
| Local Zero | LZ | x | x | | b |
| Local Zero and Span | ZS | s | s | | |
| Lightning Protection | LP | • | • | | |
| St. St. Reference Head (Carbon Steel standard) | HR | • | • | | |
| Clean Transmitter for Oxygen or Chlorine Service with Certificate | OX | h | h | | |
| Over-Pressure Leak Test with F3392 Certificate | TP | • | • | | |
| Additional Warranty - 1 year | W1 | • | • | | |
| Additional Warranty - 2 years | W2 | • | • | | b |
| Additional Warranty - 3 years | W3 | • | • | | |
| Additional Warranty - 4 years | W4 | • | • | | |
| Blind DIN SS Flanges Mounted with NACE Bolts | B1 | y | | | |
| Low Temperature - -50°C Ambient Limit | LT | z | • | | |
| Calibration Test Report and Certificate of Conformance (F3399) | F1 | • | • | | b |
| Certificate of Conformance (F3391) | F3 | • | • | | |
| Certificate of Origin (F0195) | F5 | • | • | | |
| NACE Certificate (F0198) | F7 | o | o | | |
| HART® Protocol Compatible Electronics | HC | e | e | | b |
| FOUNDATION Fieldbus Communications | FF | r | r | | |

Table III continued next page

Model Selection Guide, continued

| TABLE III - OPTIONS (continued) | | | Selection | Availability | |
|---------------------------------|-----------------------------------|---|-----------|--------------|----------|
| | | | | 44 74 | 7L 8L |
| No hazardous location approvals | | | 9X | • | • |
| Factory Mutual | Explosion Proof | Class I, Div. 1, Groups A,B,C,D | 1C | • | • |
| | Dust Ignition Proof | Class II, III Div. 1, Groups E,F,G | | | |
| | Non-Incendive | Class I, Div. 2, Groups A,B,C,D | | | |
| | Intrinsically Safe | Class I, II, III, Div. 1, Groups A,B,C,D,E,F,G | | | |
| CSA | Explosion Proof | Class I, Div. 1, Groups B,C,D | 2J | • | • |
| | Dust Ignition Proof | Class II, III, Div. 1, Groups E,F,G | | | |
| | Intrinsically Safe | Class I, II, III, Div. 1, Groups A,B,C,D,E,F,G | | | |
| Zone 2 (Europe) | Self-Declared per 94/9/EC (ATEX4) | Ex II 3 GD T ⁽¹⁾ X (1) T4 at Tamb. 93°C, T5 at Tamb. 80°C, T6 at Tamb. 65°C | 3N | • | • |
| SA (Australia) | Intrinsically Safe | Ex ia IIC T4 | 4H | a | a |
| | Non-Incendive | Ex n IIC T6 (T4 with SM option) | | | |
| | Flame Proof | Ex d IIC T6 | | | |
| LCIE | Flame Proof/ CENELEC | EEx d IIC T6 | 3A | • | • |
| | Intrinsically Safe/ CENELEC | EEx ia IIC T5 | | | |
| | Flame Proof/ CENELEC | EEx d IIC T6 | 3D | • | • |
| TABLE IV | | | | | |
| Factory Identification | | | XXXX | • | • |

Model Selection Guide, continued

RESTRICTIONS

| Restriction | | Available Only With | | Not Available With |
|-------------|-------|--|-------|--------------------|
| Letter | Table | Selection | Table | Selection |
| a | | Approval Body Pending | | |
| b | | Select only one option from this group | | |
| c | I | -- G | | |
| d | | | III | DN, B1 |
| e | III | 1C, 2J, 3D, 3N, 9X | | |
| h | I | - 2 - | | |
| m | | | III | ZS, 1C, 2J |
| n | | | III | 1C, 2J |
| o | III | CR or B1 | | |
| r | III | 1C, 2J, 3A, 3D, 3N, 4H, 9X | | |
| s | | | III | FF, ME |
| t | | Select adapter from Table III S1, T1 | | |
| u | III | 1C, 2J | | |
| v | I | E _ G, F _ G | | |
| w | I | E _ A, F _ A | III | SV |
| x | III | FF, SM | | |
| y | I | E _ A, F _ A | III | SV |
| | III | DN | | |
| z | | | III | STG974 |

Note: See 13:ST-29 and User's Manual for part numbers.
 See 13:ST-OE-9 for OMS Order Entry Information including TC, manuals, certificates, drawings and SPINS.
 See 13:ST-OD-1 for tagging, ID, Transmitter Configuration (TC) and calibration including factory default values.
 To request a quotation for a non-published "special", fax RFQ to Marketing Applications.

