



VEGAPULS 68

Radar sensor for continuous level measurement for solids with horn or parabolic antenna (K-band)

Especially suitable for the measurement of solids with optional swivelling holder

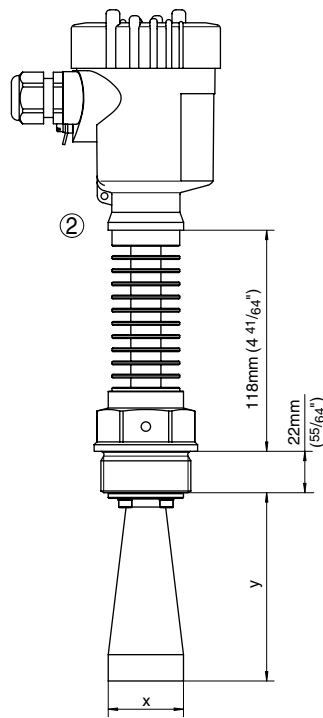
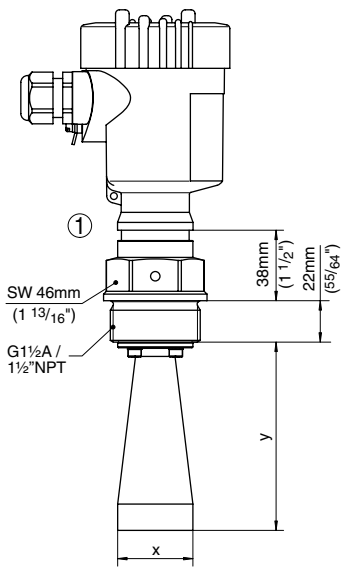
For optimum adaptation to the vessel geometry and material cone

- non-contact measurement unaffected by dust generation and pneumatic filling
- accuracy +/- 15mm
- ECHOFOX signal processing with Fuzzy-Logic
- adjustment with PLICSCOM, HART handheld or PC
- instrument from the plics® family



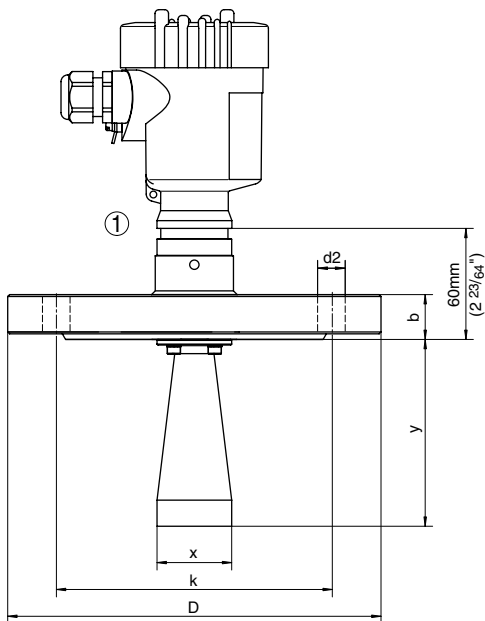


VEGAPULS 68 – threaded version with horn antenna

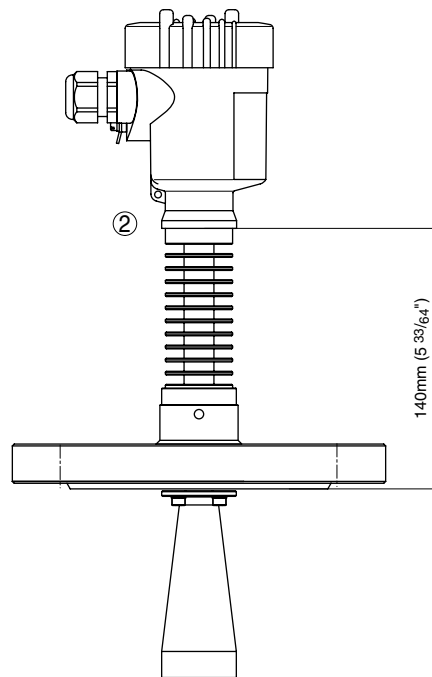


VEGAPULS 68 – flange version with horn antenna

-40...130°C



-40...200°C



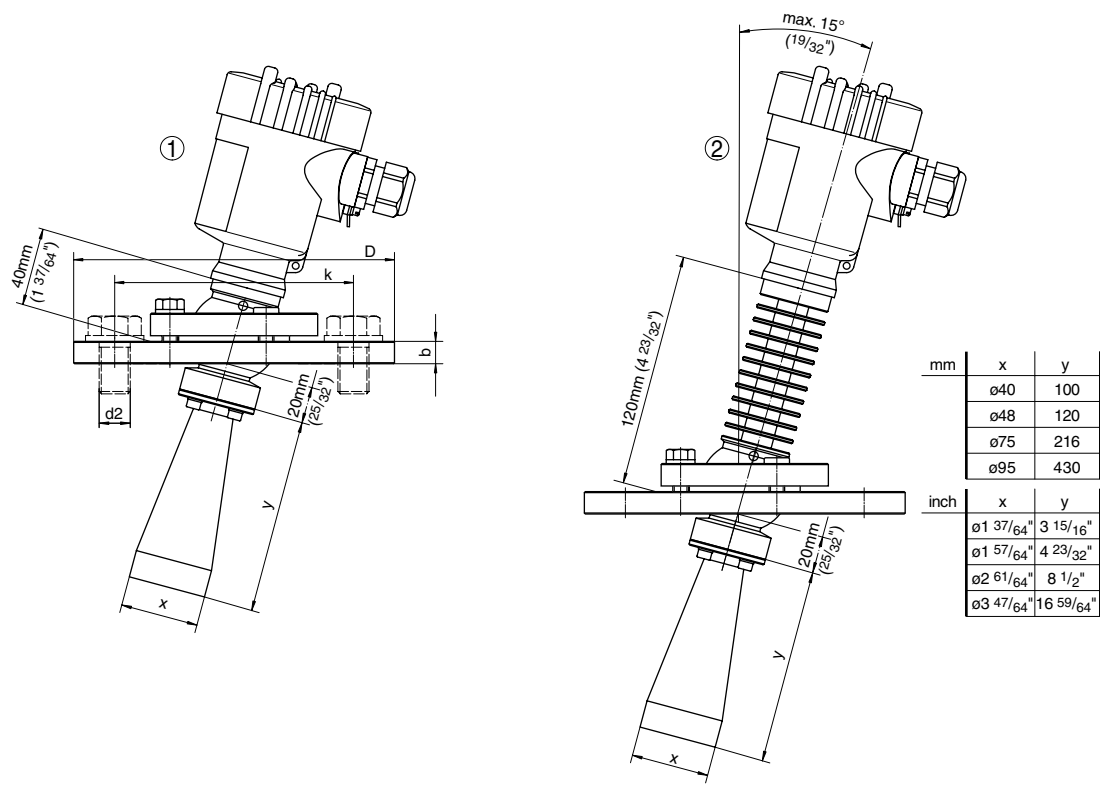
mm	x	y
	ø40	100
	ø48	120
	ø75	216
	ø95	430

inch	x	y
	ø1 37/64"	3 15/16"
	ø1 57/64"	4 23/32"
	ø2 61/64"	8 1/2"
	ø3 47/64"	16 59/64"

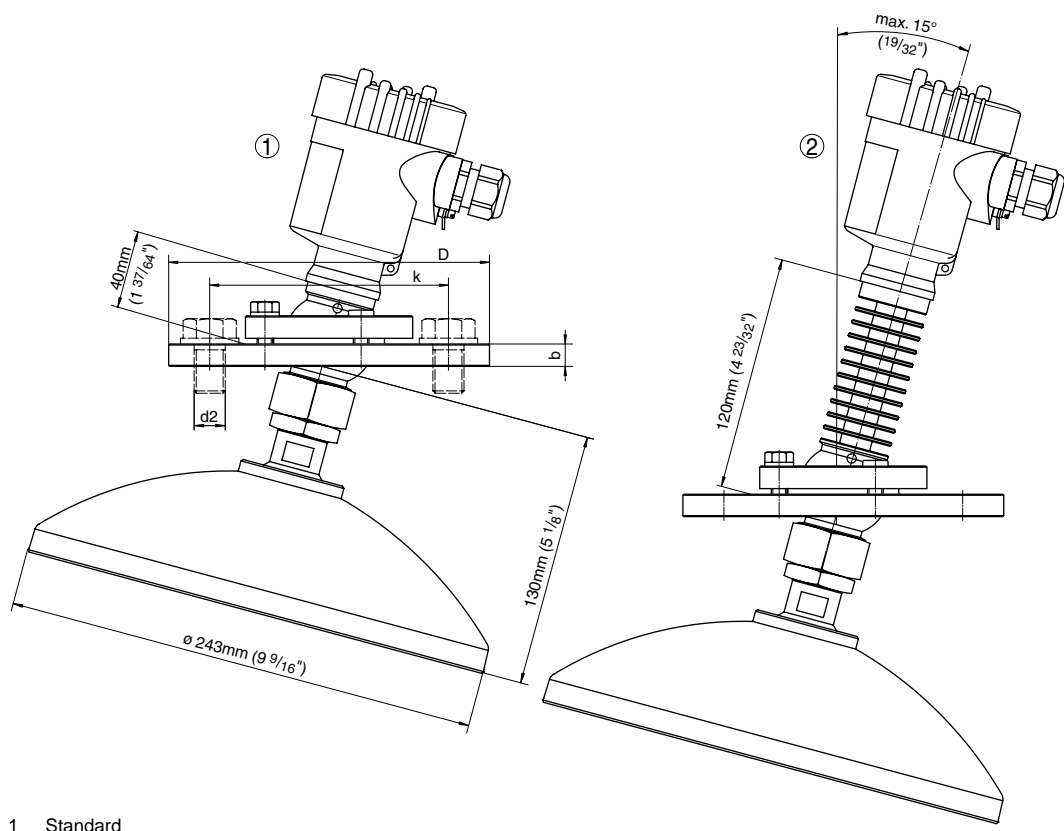
1 Standard
 2 with temperature adapter
 Specification in mm or inch



VEGAPULS 68 – swivelling holder with horn antenna



VEGAPULS 68 – swivelling holder with parabolic antenna



- 1 Standard
 - 2 with temperature adapter
- Specifications in mm or inch