

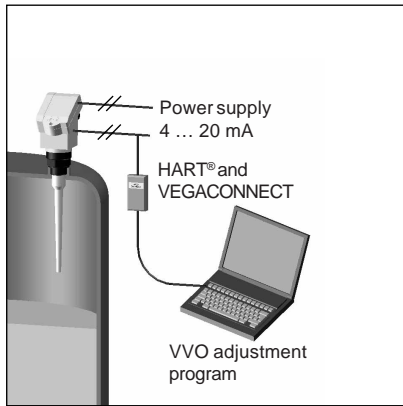
Level measurement – Radar

Contents	Page
Application examples	6
VEGAPULS series 40	7 ff.
VEGAPULS series 50	14 ff.
Dimensions	22 ff.
VEGADIS 50, MINICOM	32



Application examples: Level measurement with radar

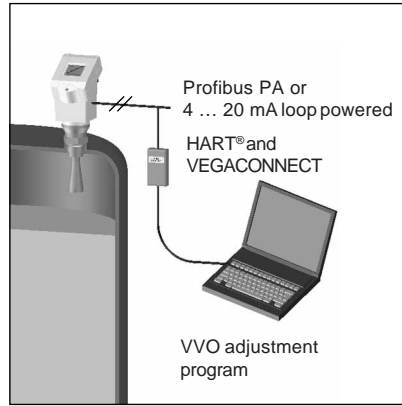
Continuous measurement with compact instrument



Measuring system with VEGAPULS series 40 or 50K as compact instrument

A measuring system consists of:

- one VEGAPULS series 40 or 50K compact instrument for use in non-Ex area with analogue current output

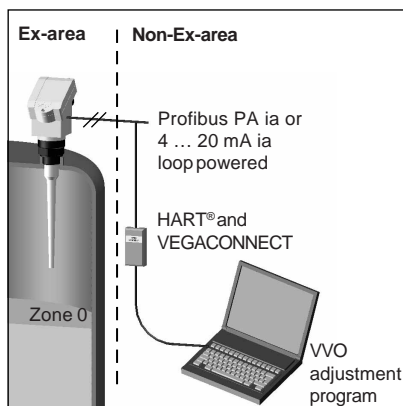


Measuring system with VEGAPULS series 40 or 50K as compact instrument

A measuring system consists of:

- one VEGAPULS series 40 or 50K compact instrument two-wire sensor loop powered with power supply via 4 ... 20 mA, or
- one Profibus PA sensor VEGAPULS series 40 or 50P with digital transmission of measured values

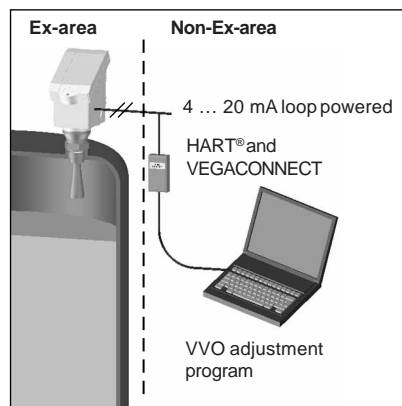
Continuous measurement with compact instrument in hazardous areas



Measuring system with VEGAPULS series 40 or 50 as compact instrument intrinsically safe

A measuring system consists of:

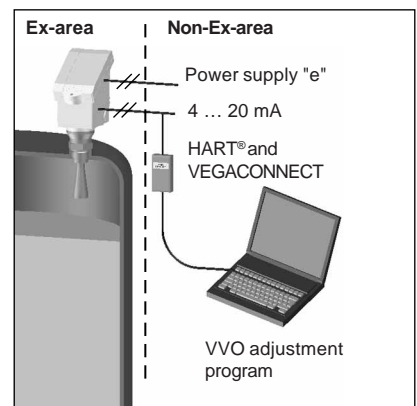
- one VEGAPULS 41 ... 45 compact sensor or 51K ... 56K two-wire sensor loop powered with power supply via 4 ... 20 mA
- one VEGAPULS 41 ... 45 compact sensor or 51K ... 56K (two-wire sensor loop powered) intrinsically safe ia and suitable separator, or
- one Profibus PA sensor VEGAPULS 41 ... 45 or 51P ... 56P and a segment coupler for connection to Profibus DP/ connection to PLC



Measuring system with VEGAPULS series 40 or 50 as compact instrument Ex "d"

A measuring system consists of:

- one VEGAPULS 41 ... 45 compact sensor or 51K ... 56K two-wire sensor loop powered in Ex "d" version and power supply via 4 ... 20 mA



Measuring system with VEGAPULS series 40/50 as compact instrument Ex "d" with separate power supply

A measuring system consists of:

- one VEGAPULS 41 ... 45 compact sensor or 51 ... 56 four-wire sensor with separate power supply in Ex "d" version and 4 ... 20 mA current output

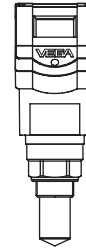


VEGAPULS 41

Radar sensor for continuous level measurement in 26 GHz technology with PTFE encapsulated antenna system

Especially suitable for small vessels for the measurement of aggressive liquids under easy process conditions

- wetted materials TFM™ -PTFE and PVDF with Viton seal
- measurement up to 50 mm to the antenna edge for complete use of the vessel volume
- accuracy +/- 3 mm
- ECHOFOX® signal processing with Fuzzy-Logic
- adjustment via VEGACONNECT and PC, via detachable adjustment module



Meas. range	: 10 m
Seal antenna system	: Viton
Process temperature	: -40...130°C
Process pressure	: -1...3 bar (-100...300 kPa)



Approval

- XX** without
- CX** ATEX II 1G, 1/2G EEx ia IIC T6²⁾
- CM** ATEX II 1G, 1/2G EEx ia IIC T6 + ship approval
- DX** ATEX II 1/2G EEx d ia IIC T6¹⁾
- CA** ATEX II 1G, 1/2G EEx ia IIC T6 + WHG²⁾
- DA** ATEX II 1/2G EEx d ia IIC T6 + WHG¹⁾
- XV** FCC
- XU** FM Division 2/Zone 2
- CU** FM Division 1/Zone 0²⁾
- DU** FM Division 1/Zone 0, pressure-tight encapsulation¹⁾

Electronics

- B** Four-wire 20...72VDC/20...250VAC 4...20mA HART®
- D** Two-wire-Loop powered 4...20mA HART®
- G** Profibus PA

Adjustment module MINICOM (plug-in)

- X** without
- B** mounted

Indication

- X** without
- A** mounted

Process connection/Material

- G** Thread G1½A/PVDF
- N** Thread 1½NPT/PVDF
- A** Tri-Clamp 2"/1.4571(316Ti)
- B** Tri-Clamp 3"/1.4571(316Ti)
- J** Bolting DN50/1.4571(316Ti) DIN11851
- L** Bolting DN80/1.4571(316Ti) DIN11851

Housing/Cable entry

- K** Plastic PBT/M20x1,5
- N** Plastic PBT/½NPT
- A** Alu powder coated/M20x1,5
- D** Alu powder coated EEx d/½NPT



¹⁾ Only in conjunction with housing/cable entry "D"

²⁾ Not for electronics "B"

- Further process connections upon request
- Profibus accessory see chapter "Signal conditioning instruments and communication"



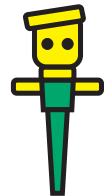
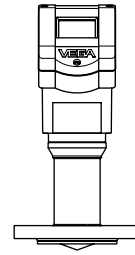
VEGAPULS 43

Radar sensor for continuous level measurement in 26 GHz technology with PTFE encapsulated antenna system

Especially suitable for measurement of liquids in the chemical, pharmaceutical and food processing industry

- only one wetted material TFM™-PTFE
- measurement up to 50 mm to the antenna edge for complete use of the vessel volume
- accuracy +/- 3 mm
- ECHOFOX® signal processing with Fuzzy-Logic
- adjustment via VEGACONNECT and PC, via detachable adjustment module

Process temperature : -40...150°C
Process pressure : -1...16 bar (-100...1600 kPa)



Approval

- XX** without
- CX** ATEX II 1G, 1/2G EEx ia IIC T6²⁾
- CM** ATEX II 1G, 1/2G EEx ia IIC T6 + ship approval
- DX** ATEX II 1/2G EEx d ia IIC T6¹⁾
- CA** ATEX II 1G, 1/2G EEx ia IIC T6 + WHG²⁾
- DA** ATEX II 1/2G EEx d ia IIC T6 + WHG¹⁾
- XV** FCC
- XU** FM Division 2/Zone 2
- CU** FM Division 1/Zone 0²⁾
- DU** FM Division 1/Zone 0, pressure-tight encapsulation¹⁾

Electronics

- B** Four-wire 20...72VDC/20...250VAC 4...20mA HART®
- D** Two-wire-Loop powered 4...20mA HART®
- G** Profibus PA

Adjustment module MINICOM (plug-in)

- X** without
- B** mounted

Indication

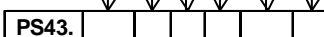
- X** without
- A** mounted

Process connection/Measuring range

- FA** Flange DN50PN40/10m
- FB** Flange DN80PN40/20m
- FC** Flange DN100PN16/20m
- AA** Flange 2" 150lb ANSI/10m
- AB** Flange 3" 150lb ANSI/20m
- AC** Flange 4" 150lb ANSI/20m
- AE** Flange 6" 150lb ANSI/20m
- CA** Tri-Clamp 2"/10m
- CB** Tri-Clamp 3"/10m
- RA** Bolting DN50/10m
- RB** Bolting 3"/10m

Housing/Cable entry

- K** Plastic PBT/M20x1,5
- N** Plastic PBT/½NPT
- A** Alu powder coated/M20x1,5
- D** Alu powder coated EEx d/½NPT



¹⁾ Only in conjunction with housing/cable entry "D"

²⁾ Not for electronics "B"

- Further process connections upon request
- Profibus accessory see chapter "Signal conditioning instruments and communication"

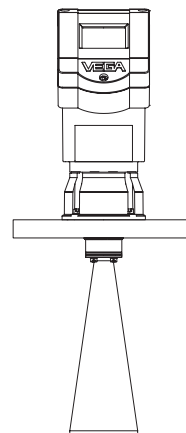


VEGAPULS 44

Radar sensor for continuous level measurement in 26 GHz technology with horn antenna

Especially suitable for storage tanks and process vessels for the measurement of products such as solvents, hydrocarbons and fuels under arduous process conditions

- measurement up to 50 mm to the antenna edge for complete use of the vessel volume
- accuracy +/- 3 mm
- ECHOFOX[®] signal processing with Fuzzy-Logic
- adjustment via VEGACONNECT and PC, via detachable adjustment module



Process pressure : -1...40 bar (-100...4000 kPa)



Approval

- XX** without
- CX** ATEX II 1G, 1/2G EEx ia IIC T6²⁾
- CM** ATEX II 1G, 1/2G EEx ia IIC T6 + ship approval
- DX** ATEX II 1/2G EEx d ia IIC T6¹⁾
- CA** ATEX II 1G, 1/2G EEx ia IIC T6 + WHG²⁾
- DA** ATEX II 1/2G EEx d ia IIC T6 + WHG¹⁾
- XV** FCC
- XU** FM Division 2/Zone 2
- CU** FM Division 1/Zone 0 FCC²⁾
- DU** FM Division 1/Zone 0, FCC; pressure-tight encapsul.¹⁾

Electronics

- B** Four-wire 20...72VDC/20...250VAC 4...20mA HART®
- D** Two-wire-Loop powered 4...20mA HART®
- G** Profibus PA

Adjustment module MINICOM (plug-in)

- X** without
- B** mounted

Indication

- X** without
- A** mounted

Flange/Horn antenna/Measuring range/Material

- GCC** DN50PN40C/ø48mm/max.15m/1.4435(316L)
- FCE** DN80PN40C/ø75mm/max.20m/1.4435(316L)
- CCG** DN100PN16C/ø95mm/max.20m/1.4435(316L)
- DCG** DN150PN16C/ø95mm/max.20m/1.4435(316L)
- ARC** 2"150lb RF,ANSI/ø48mm/max.15m/1.4435(316L)
- BRE** 3"150lb RF,ANSI/ø75mm/max.20m/1.4435(316L)
- CRG** 4"150lb RF,ANSI/ø95mm/max.20m/1.4435(316L)
- DRG** 6"150lb RF,ANSI/ø95mm/max.20m/1.4435(316L)

Seal antenna system/Process temperature

- V** Viton/-25...150°C/impedance cone PTFE
- N** Viton/-40...150°C/impedance cone PTFE
- A** Kalrez 4079/-15...150°C/impedance cone PTFE

Housing/Cable entry

- K** Plastic PBT/M20x1,5
- N** Plastic PBT/½NPT
- A** Alu powder coated/M20x1,5
- D** Alu powder coated EEx d/½NPT

Options

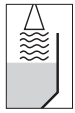
- X** without
- J** Extension for horn antenna/1.4435(316L)



¹⁾ Only in conjunction with housing/cable entry "D"

²⁾ Not for electronics "B"

- Further process connections upon request
- Profibus accessory see chapter "Signal conditioning instruments and communication"



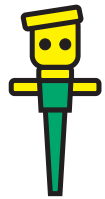
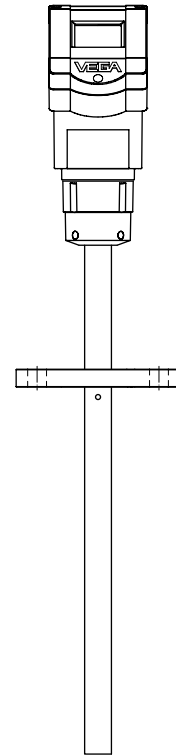
VEGAPULS 45

Radar sensor for continuous level measurement of liquids in 26 GHz technology with mounted 3/4" standpipe

Especially suitable for the measurement of solvents and liquid gases
in vessels with small process connections under arduous
process conditions

- setup without additional settings
- measurement up to the process fitting for complete use of the vessel volume
- accuracy +/- 3 mm
- ECHOFOX® signal processing with Fuzzy-Logic
- adjustment via VEGACONNECT and PC, via detachable adjustment module

Process pressure : -1...40 bar (-100...4000 kPa)



Approval

- XX** without
- CX** ATEX II 1G, 1/2G EEx ia IIC T6²⁾
- CM** ATEX II 1G, 1/2G EEx ia IIC T6 + ship approval
- DX** ATEX II 1/2G EEx d ia IIC T6¹⁾
- CA** ATEX II 1G, 1/2G EEx ia IIC T6 + WHG²⁾
- DA** ATEX II 1/2G EEx d ia IIC T6 + WHG¹⁾
- XV** FCC
- XU** FM Division 2/Zone 2
- CU** FM Division 1/Zone 0 FCC²⁾
- DU** FM Division 1/Zone 0, FCC; pressure-tight encapsul.¹⁾

Electronics

- B** Four-wire 20...72VDC/20...250VAC 4...20mA HART®
- D** Two-wire-Loop powered 4...20mA HART®
- G** Profibus PA

Adjustment module MINICOM (plug-in)

- X** without
- B** mounted

Indication

- X** without
- A** mounted

Process connection/Material

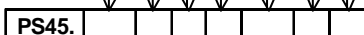
- GB** Thread G1½A/1.4435(316L)
- NR** Thread 1½NPT/1.4435(316L)
- AC** Flens DN50PN40C/1.4435(316L)
- BC** Flens DN80PN40C/1.4435(316L)
- CC** Flange DN100PN16C/1.4435(316L)
- DC** Flange DN150PN16C/1.4435(316L)
- AR** Flange 2" 150lb RF,ANSI/1.4435(316L)
- BR** Flange 3" 150lb RF,ANSI/1.4435(316L)
- CR** Flange 4" 150lb RF,ANSI/1.4435(316L)
- DR** Flange 6" 150lb RF,ANSI/1.4435(316L)

Seal antenna system/Process temperature

- V** Viton/-25...150°C/impedance cone PTFE
- N** Viton/-40...150°C/impedance cone PTFE
- A** Kalrez 4079/-15...150°C/impedance cone PTFE

Housing/Cable entry

- K** Plastic PBT/M20x1,5
- N** Plastic PBT/½NPT
- A** Alu powder coated/M20x1,5
- D** Alu powder coated EEx d/½NPT



¹⁾ Only in conjunction with housing/cable entry "D"

²⁾ Not for electronics "B"

Standpipe length in mm

per 100 mm of 1.4435(316L)

per 100 mm of Hastelloy C22

- Multi-sectional standpipe upon request
- Further process connections upon request
- Profibus accessory see chapter "Signal conditioning instruments and communication"



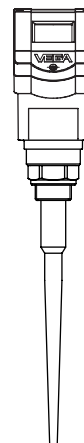
VEGAPULS 51

Radar sensor for continuous level measurement of liquids in 6.3 GHz technology with rod antenna

Especially suitable for vessels with small process connections for measurement of liquids under easy process conditions

- accuracy +/- 10 mm
- ECHOFOX® signal processing with Fuzzy-Logic
- adjustment via VEGACONNECT and PC, via detachable adjustment module

Meas. range : up to 20 m



Instrument version

- K** Compact instrument with analogue current output
- P** Digital signal transmission for connect. to Profibus PA

Approval

- .X** FTZ (Standard telecommunication approval)
- EX0.X** Use in Ex-Zone 0¹⁾
- EX0.A** Use in Ex-Zone 0, overfill protection WHG¹⁾
- EX.U** FM Div.I, CSA Div.I, FCC, Industry Canada²⁾
- .U** FM Div.II, CSA Div.II, FCC, Industry Canada

Electronics

- D** Two-wire-Loop powered/4...20mA HART®
- B** Four wire 20...72VDC, 20...250VAC/4...20mA HART®
- G** Profibus PA

Adjustment module MINICOM (plug-in)

- X** without
- B** mounted

Indication

- X** without
- A** mounted

Process connection/Process pressure

- G** Thread G 1½A/PVDF/max.3bar (PP antenna)
- N** Thread 1½NPT/PVDF/max.3bar (PP antenna)
- E** Thread G 1½A/1.4435(316L)/max.16bar (PPS antenna)
- H** Thread 1½NPT/1.4435(316L)/max.16bar (PPS antenna)
- A** Tri-Clamp 2"/1.4571(316Ti)/max.3 bar
- B** Tri-Clamp 3"/1.4571(316Ti)/max.3 bar
- J** Bolting DN50/1.4571(316Ti)/DIN11851/max.3 bar
- L** Bolting DN80/1.4571(316Ti)/DIN11851/max.3 bar

Rod antenna material/Process temperature

- 5** PP socket length up to 50mm/-20...80°C
- 3** PPS socket length to 100mm/-20...120°C
- 9** PPS socket length to 250mm/-20...120°C

Housing/Cable entry

- K** Plastic PBT/M20x1,5
- N** Plastic PBT/½NPT
- A** Alu powder coated/M20x1,5
- D** Alu powder coated EEx d/½NPT
- E** Alu powder coated EEx e/M20x1,5



¹⁾ In combination with electronics "B": only in conjunction with housing/cable entry "D" or "E"

²⁾ In combination with electronics "B": only in conjunction with housing/cable entry "D"

- Process connection "A", "B", "G", "N", "J", "L": only for socket length up to 50 mm
- Further process connections upon request
- Profibus accessory see chapter "Signal conditioning instruments and communication"



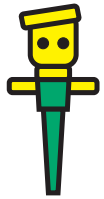
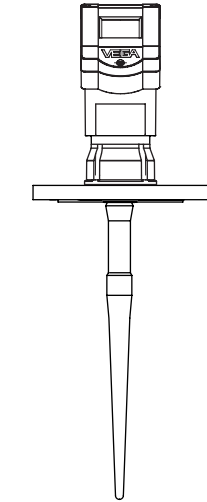
VEGAPULS 53

**Radar sensor for continuous level measurement of liquids in
6.3 GHz technology with rod antenna of PTFE**

Especially suitable for measurement of aggressive liquids under
arduous process conditions

- accuracy +/- 10 mm
- ECHOFOX[®] signal processing with Fuzzy-Logic
- adjustment via VEGACONNECT and PC, via detachable
adjustment module

Meas. range : up to 20 m
Process pressure : -1...16 bar (-100...1600 kPa)



Instrument version

- K** Compact instrument with analogue current output
- P** Digital signal transmission for connect. to Profibus PA

Approval

- .X** FTZ (Standard telecommunication approval)
- EX0.X** Use in Ex zone 0¹⁾
- EX0.A** Use in Ex-Zone 0, overfill protection WHG¹⁾
- EX.U** FM Div.I, CSA Div.I, FCC, Industry Canada²⁾
- .U** FM Div.II, CSA Div.II, FCC, Industry Canada

Electronics

- D** Two-wire-Loop powered/4...20mA HART®
- B** Four wire 20...72VDC, 20...250VAC/4...20mA HART®
- G** Profibus PA

Adjustment module MINICOM (plug-in)

- X** without
- B** mounted

Indication

- X** without
- A** mounted

Process connection/Material

- C** Flange DN50PN40C/1.4571(316Ti)
- D** Flange DN80PN40C/1.4571(316Ti)
- G** Flange DN100PN16C/1.4571(316Ti)
- H** Flange DN150PN16C/1.4571(316Ti)
- S** Flange 2"150lb ANSI/1.4571(316Ti)
- W** Flange 3"150lb ANSI/1.4571(316Ti)
- P** Flange 4"150lb ANSI/1.4571(316Ti)
- V** Flange 6"150lb ANSI/1.4571(316Ti)

Rod antenna of PTFE/Process temperature

- 1** for measurement in standpipe/-40...150°C
- 3** for socket length up to 100mm/-40...150°C
- 9** for socket length up to 250 mm/-40...150°C

Housing/Cable entry

- K** Plastic PBT/M20x1,5
- N** Plastic PBT/½NPT
- A** Alu powder coated/M20x1,5
- D** Alu powder coated EEx d/½NPT
- E** Alu powder coated EEx e/M20x1,5



¹⁾ In combination with electronics "B": only in conjunction with housing/cable entry "D" or "E"
²⁾ In combination with electronics "B": only in conjunction with housing/cable entry "D"

- Further process connections upon request
- Profibus accessory see chapter "Signal conditioning instruments and communication"

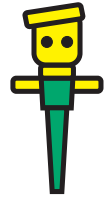
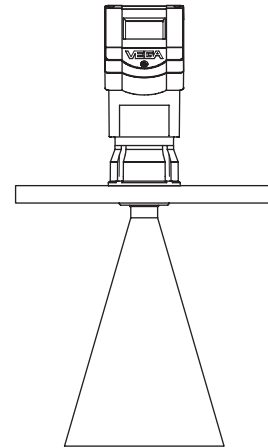


VEGAPULS 54

Radar sensor for continuous level measurement in 6.3 GHz technology with horn antenna and flange connection

Especially suitable for measurement of liquids and solids under arduous process conditions such as buildup, condensation and foam generation as well as strong product movements

- accuracy +/- 10 mm
- ECHOFOX® signal processing with Fuzzy-Logic
- adjustment via VEGACONNECT and PC, via detachable adjustment module



Instrument version

- K** Compact instrument with analogue current output
- P** Digital signal transmission for connect. to Profibus PA

Approval

- .X** FTZ (Standard telecommunication approval)
- EX0.X** Use in Ex zone 0¹⁾
- EX0.A** Use in Ex-Zone 0, overfill protection WHG¹⁾
- EX0.M** Use in Ex-Zone 0, ship approval GL, LR
- EX.U** FM Div.I, CSA Div.I, FCC, Industry Canada²⁾
- .U** FM Div.II, CSA Div.II, FCC, Industry Canada

Electronics

- D** Two-wire-Loop powered/4...20mA HART®
- B** Four wire 20...72VDC, 20...250VAC/4...20mA HART®
- G** Profibus PA

Adjustment module MINICOM (plug-in)

- X** without
- B** mounted

Indication

- X** without
- A** mounted

Flange size/Material/Antenna diameter

- RCX** DN50PN40C/1.4571(316Ti)/without horn antenna
- UC6** DN80PN40C/1.4571(316Ti)/horn antenna ø76
- EC1** DN100PN16C/1.4571(316Ti)/horn antenna ø96
- FC2** DN150PN16C/1.4571(316Ti)/horn antenna ø146
- FD2** DN150PN16C/1.4571/PTFE-coat./enamelled antenna ø140³⁾
- MD4** DN200PN16C/1.4571/PTFE-coat./enamelled antenna ø160³⁾
- SVX** 2"150lb RF/1.4571(316Ti)/without horn antenna
- WV6** 3"150lb RF/1.4571(316Ti)/horn antenna ø76
- PV1** 4"150lb RF/1.4571(316Ti)/horn antenna ø96
- VV2** 6"150lb RF/1.4571(316Ti)/horn antenna ø146
- VD2** 6"150lb RF/1.4571/PTFE coat./enamelled antenna ø140³⁾
- QD4** 8"150lb RF/1.4571/PTFE coat./enamelled antenna ø160³⁾

Seal antenna system/Process temperature

- V** Viton/-25...150°C
- A** Kalrez 4079/-15...150°C
- P** Viton with PTFE-coating/-40°C...200°C⁵⁾
- G** Graphite with ceramic/-60...250°C

Housing/Cable entry

- K** Plastic PBT/M20x1,5
- N** Plastic PBT/½NPT
- A** Alu powder coated/M20x1,5
- D** Alu powder coated EEx d/½NPT
- E** Alu powder coated EEx e/M20x1,5

Options

- X** without
- J** Extension for horn antenna/1.4571(316Ti)⁴⁾



¹⁾ In combination with electronics "B": only in conjunction with housing/cable entry "D" or "E"
²⁾ In combination with electronics "B": only in conjunction with housing/cable entry "D"
³⁾ Delivery time more than 10 working days
⁴⁾ Delivery time more than 5 working days
⁵⁾ Only possible with antenna material enamel

Extension for horn antenna mm (max. 3000 mm); per 100 mm

- Further process connections upon request
- Profibus accessory see chapter "Signal conditioning instruments and communication"

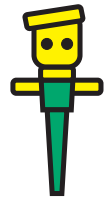
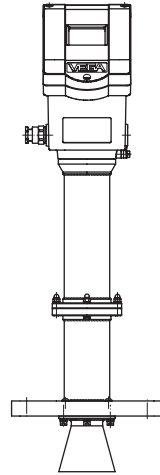


VEGAPULS 56

Radar sensor for continuous level measurement in 6.3 GHz technology with horn antenna and flange connection under high pressures and temperatures

Especially suitable for measurement of liquids and solids under extreme process conditions such as 160 bar (16000 kPa) process pressure or 400°C process temperature

- accuracy +/- 10 mm
- ECHOFOX[®] signal processing with Fuzzy-Logic
- adjustment via VEGACONNECT and PC, via detachable adjustment module



Instrument version

- K** Compact instrument with analogue current output
- P** Digital signal transmission for connect. to Profibus PA

Approval

- .X** FTZ (Standard telecommunication approval)
- EX0.X** Use in Ex zone 0¹⁾
- EX0.A** Use in Ex-Zone 0, overfill protection WHG¹⁾
- EX0.M** Use in Ex-Zone 0, ship approval GL, LR
- EX.U** FM Div.I, CSA Div.I, FCC, Industry Canada²⁾
- .U** FM Div.II, CSA Div.II, FCC, Industry Canada

Electronics

- D** Two-wire-Loop powered/4...20mA HART®
- B** Four wire 20...72VDC, 20...250VAC/4...20mA HART®
- G** Profibus PA

Adjustment module MINICOM (plug-in)

- X** without
- B** mounted

Indication

- X** without
- A** mounted

Flange size/Material/Antenna diameter

- RCX** DN50PN40C/1.4571(316Ti)/without horn antenna
- UC6** DN80PN40C/1.4571(316Ti)/horn antenna ø76
- EC1** DN100PN16C/1.4571(316Ti)/horn antenna ø96
- FC2** DN150PN16C/1.4571(316Ti)/horn antenna ø146
- SVX** 2"150lb RF/1.4571(316Ti)/without horn antenna
- WV6** 3"150lb RF/1.4571(316Ti)/horn antenna ø76
- PV1** 4"150lb RF/1.4571(316Ti)/horn antenna ø96
- VV2** 6"150lb RF/1.4571(316Ti)/horn antenna ø146

Seal antenna system/Process temperature

- G** Graphite (coupling of ceramic)/-60...400°C

Housing/Cable entry

- K** Plastic PBT/M20x1,5
- N** Plastic PBT/½NPT
- A** Alu powder coated/M20x1,5
- D** Alu powder coated EEx d/½NPT
- E** Alu powder coated EEx e/M20x1,5

Options

- X** without
- J** Extension for horn antenna/1.4571(316Ti)³⁾



¹⁾ In combination with electronics "B": only in conjunction with housing/cable entry "D" or "E"

²⁾ In combination with electronics "B": only in conjunction with housing/cable entry "D"

³⁾ Delivery time more than 10 working days

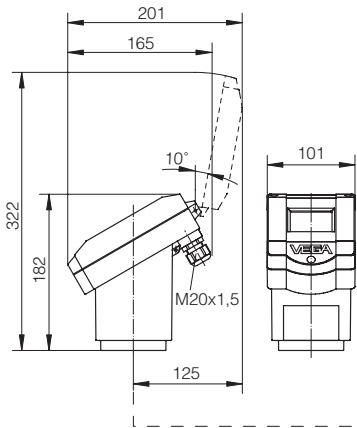
Extension for horn antenna mm (max. 3000 mm); per 100 mm

- Further process connections upon request
- Profibus accessory see chapter "Signal conditioning instruments and communication"

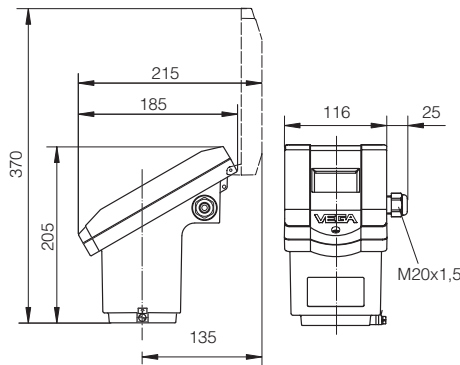


VEGAPULS 41, 42 and 43

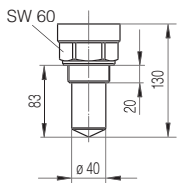
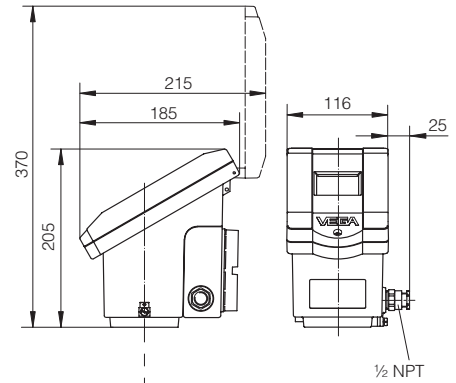
Plastic housing



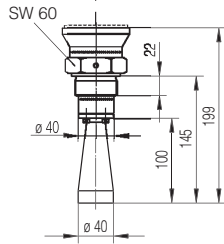
Aluminium housing



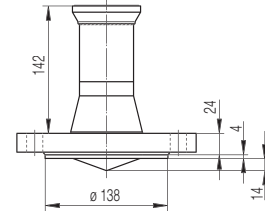
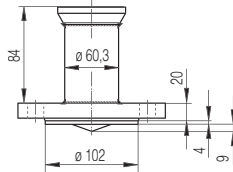
Aluminium housing with Ex d terminal compartment



G1½ A
1½ NPT

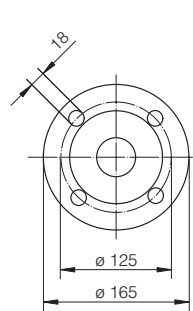


G1½ A
1½ NPT

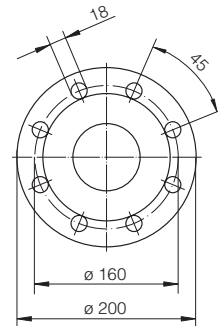


VEGAPULS 41

VEGAPULS 42



DN 50 PN 40 C

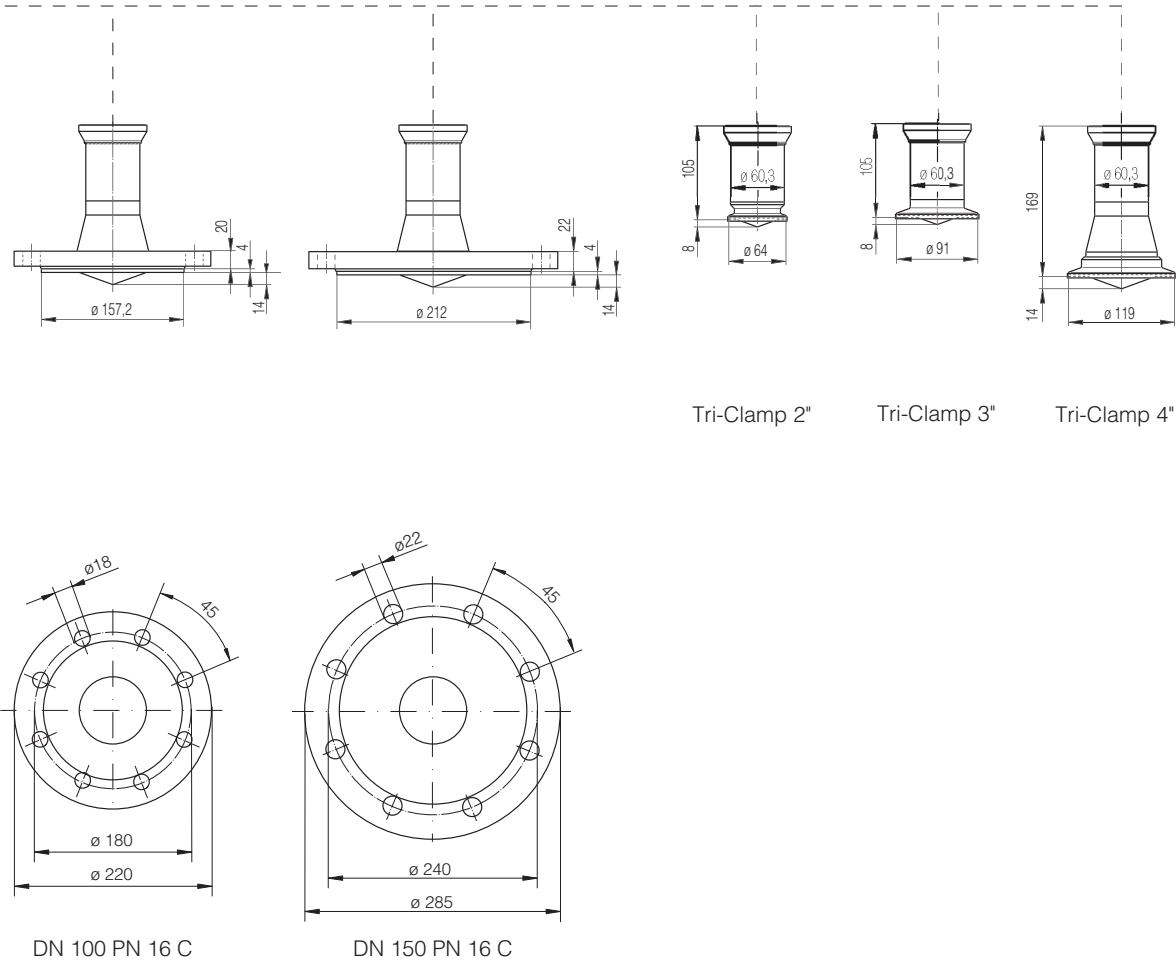


DN 80 PN 40 C

VEGAPULS 43

**Recommended max. socket length
depending on the antenna version:**

Sensor type	Version	Socket length
VEGAPULS 41	Standard	70 mm
VEGAPULS 42	Standard	135 mm
VEGAPULS 43	DN50/ANSI 2"	50 mm
	DN 80/ANSI 3"	80 mm
	DN 100/ANSI 4"	100 mm
	DN 150/ANSI 6"	150 mm
	Tri-Clamp 2"	50 mm
	Tri-Clamp 3"	80 mm
	Tri-Clamp 4"	100 mm

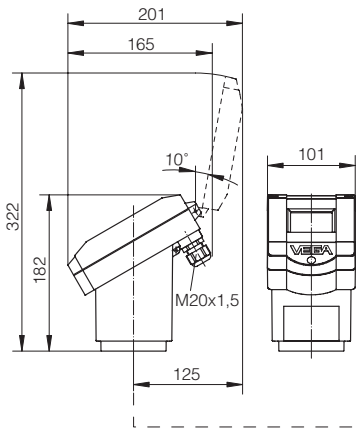


VEGAPULS 43

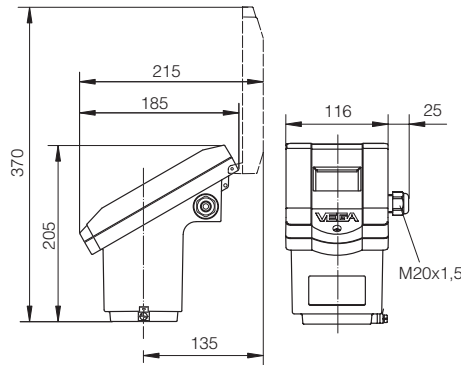


VEGAPULS 44 and 45

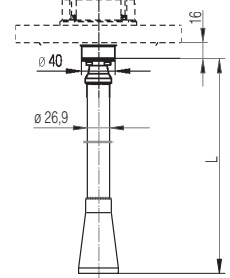
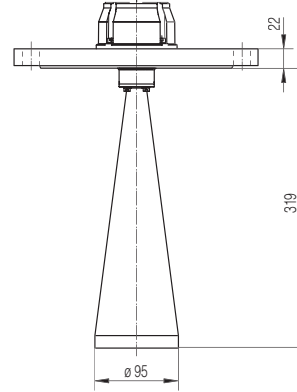
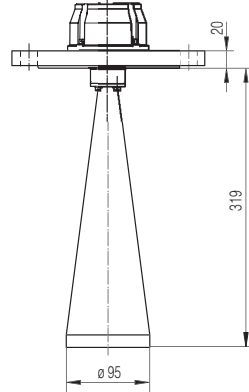
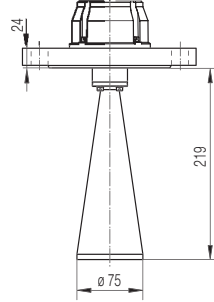
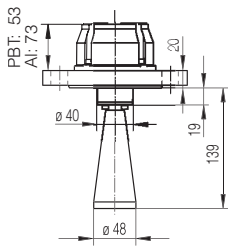
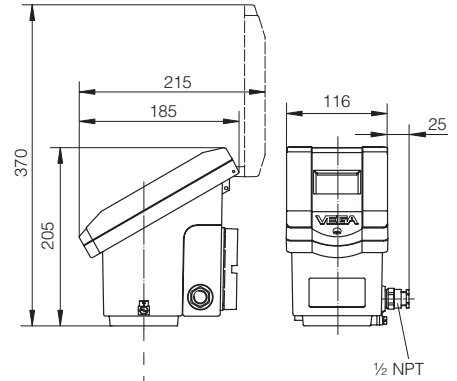
Plastic housing



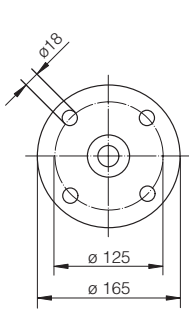
Aluminium housing



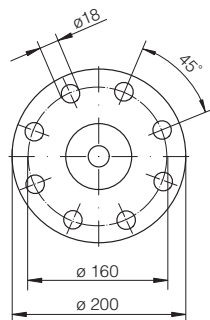
Aluminium housing with Ex d terminal compartment



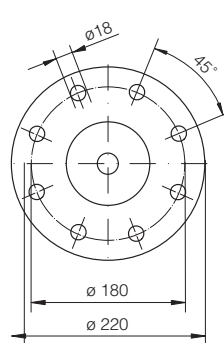
Antenna extension



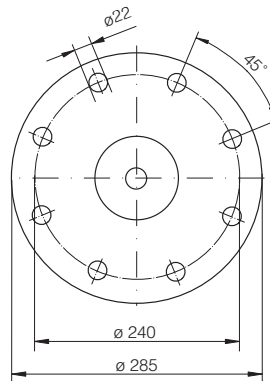
DN 50 PN 40 C



DN 80 PN 40 C



DN 100 PN 16 C

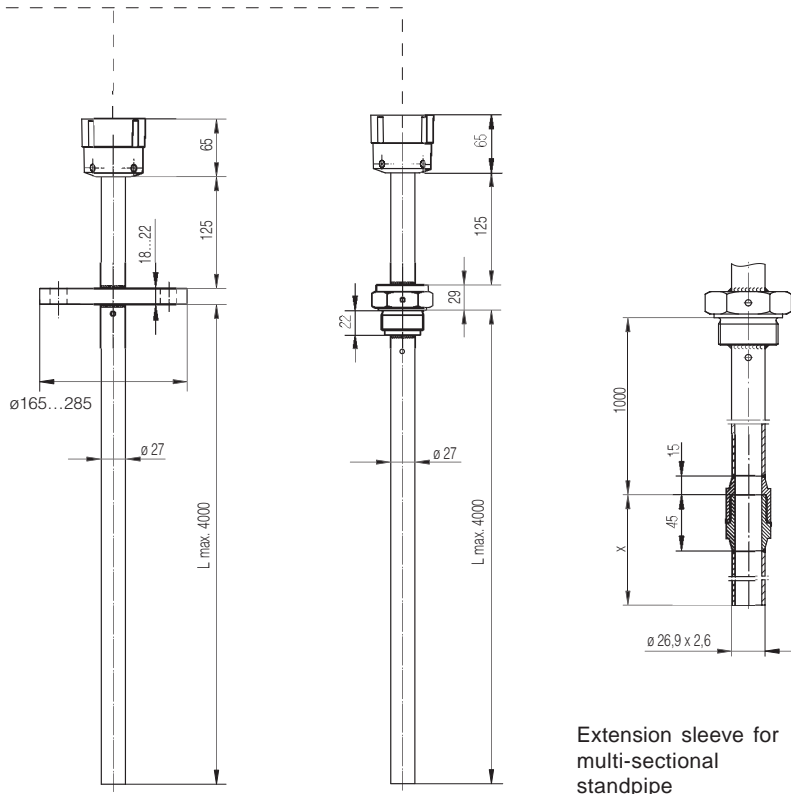


DN 150 PN 16 C

VEGAPULS 44

**Recommended max. socket length
depending on the antenna version:**

Sensor type	Version	Socket length
VEGAPULS 44	DN50/ANSI 2"	135 mm
	DN 80/ANSI 3"	210 mm
	DN 100/ANSI 4"	310 mm
	DN 150/ANSI 6"	310 mm

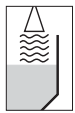


DN 50...DN 150 PN 16/40 C

G1½ A
1½ NPT

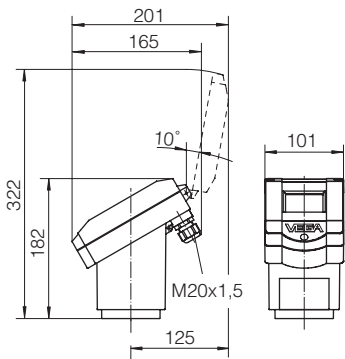
Extension sleeve for
multi-sectional
standpipe

VEGAPULS 45

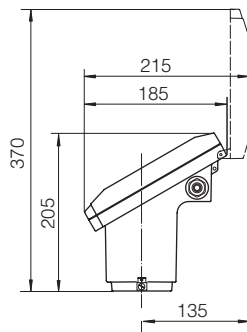


VEGAPULS 51 ... 53

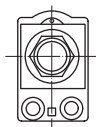
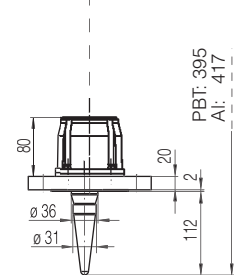
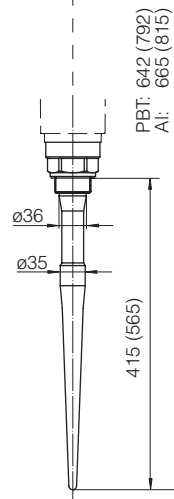
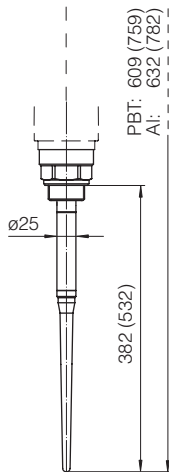
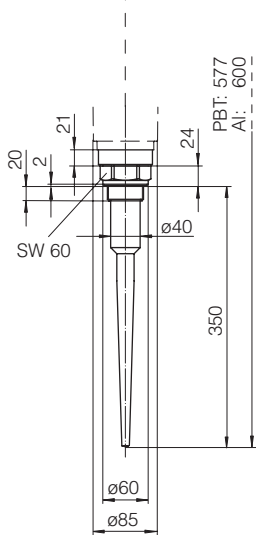
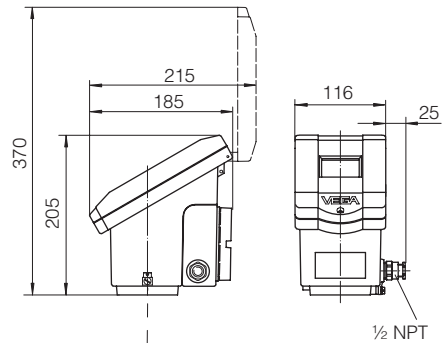
Plastic housing



Aluminium housing

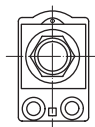


Aluminium housing with Ex d terminal compartment



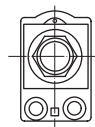
G 1½ A
1½ NPT

VEGAPULS 51
Antenna PP



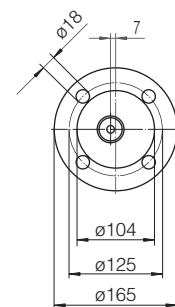
G 1½ A
1½ NPT

VEGAPULS 51
Antenna PPS



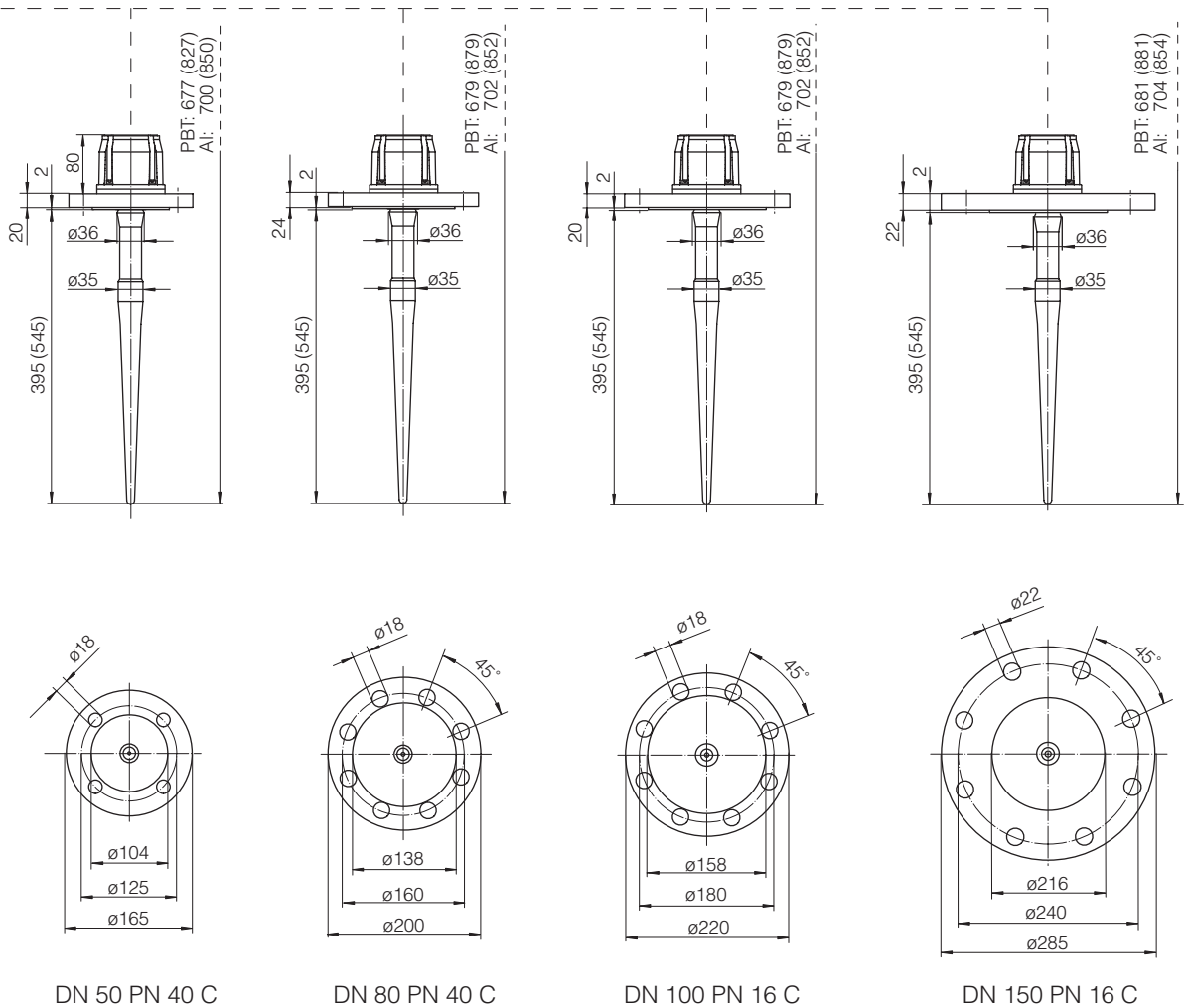
G 1½ A
1½ NPT

VEGAPULS 52

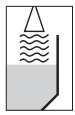


DN 50 PN 40 C
for standpipe

VEGAPULS 53

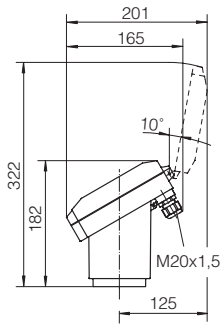


VEGAPULS 53

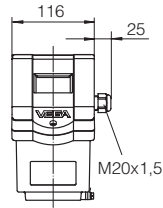
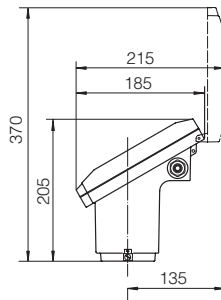


VEGAPULS 54

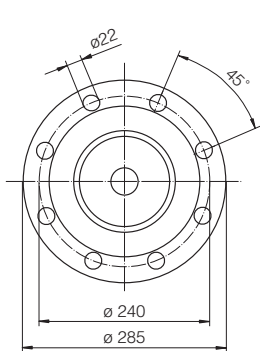
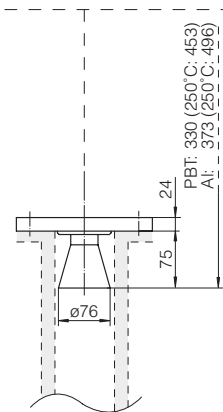
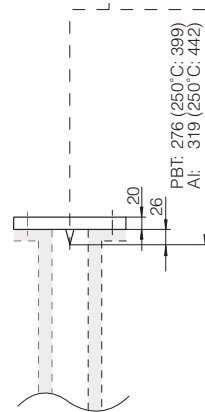
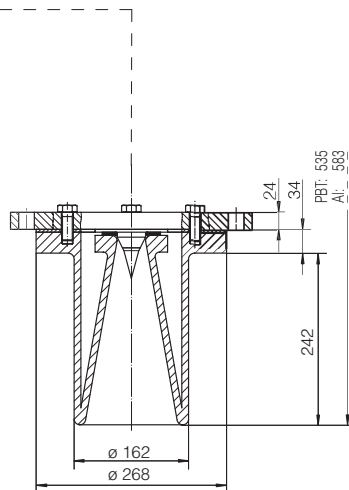
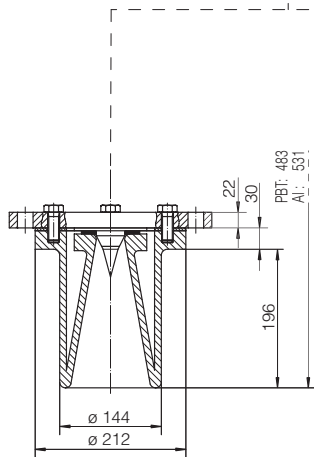
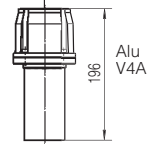
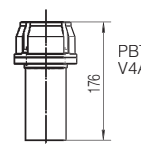
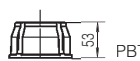
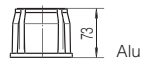
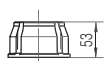
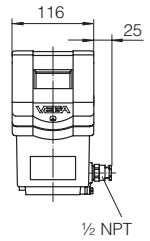
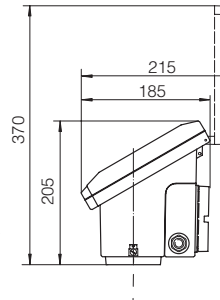
Plastic housing



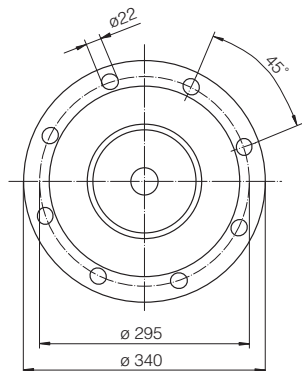
Aluminium housing



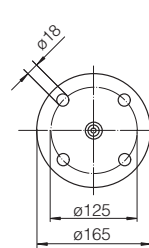
Aluminium housing with Ex d terminal compartment



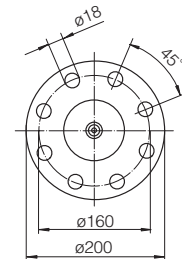
DN 150 PN 16 C



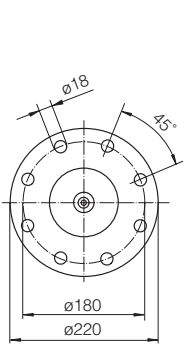
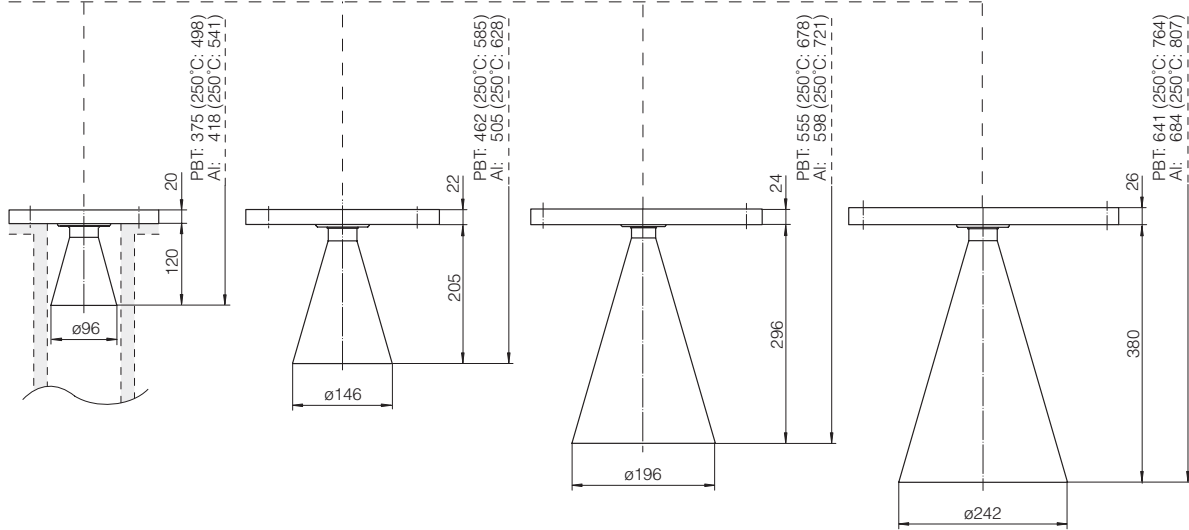
DN 200 PN 16 C



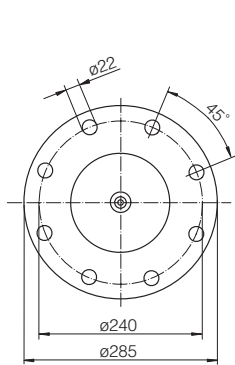
DN 50 PN 40 C



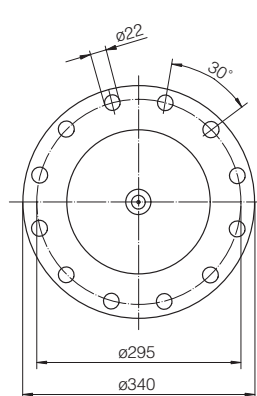
DN 80 PN 40 C



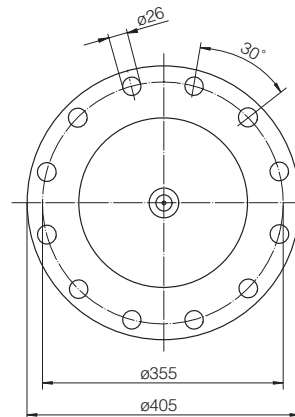
DN 100 PN 16 C



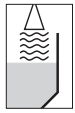
DN 150 PN 16 C



DN 200 PN 16 C

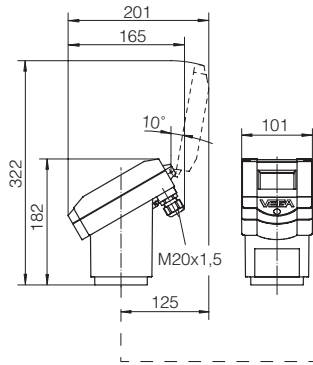


DN 250 PN 16 C

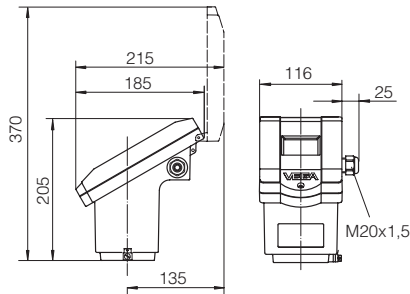


VEGAPULS 56

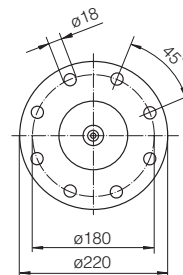
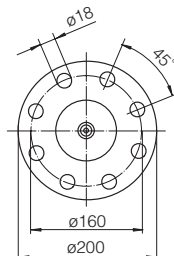
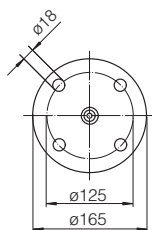
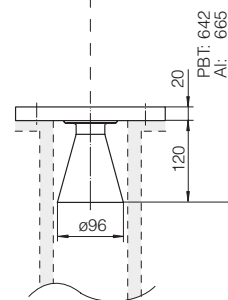
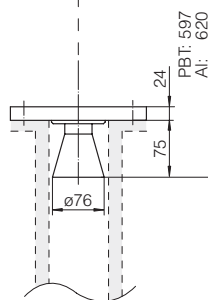
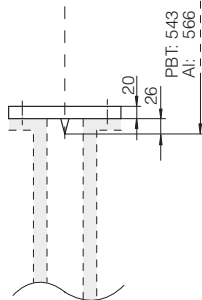
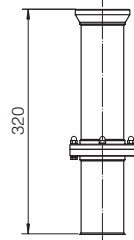
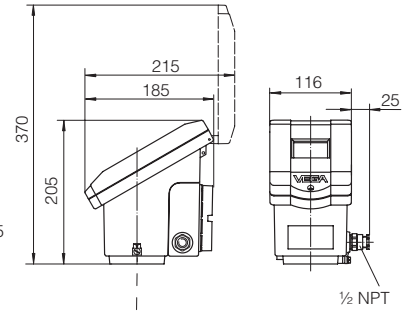
Plastic housing



Aluminium housing



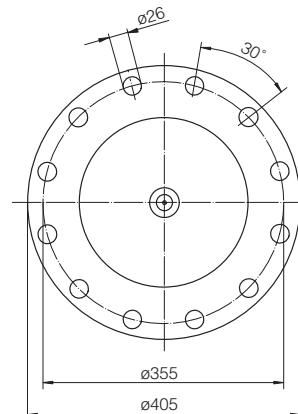
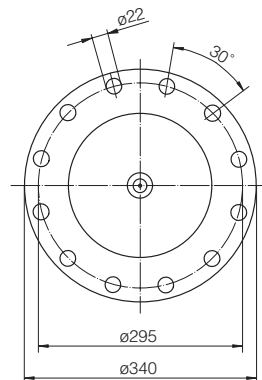
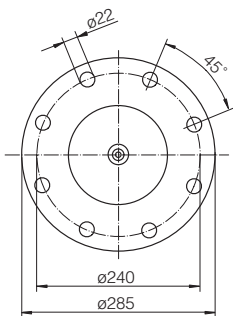
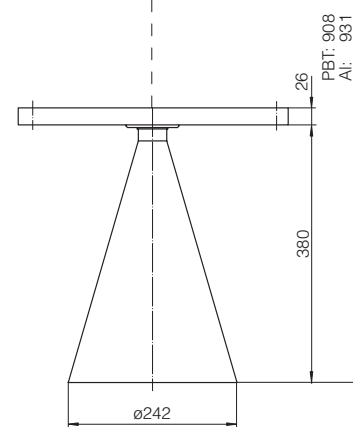
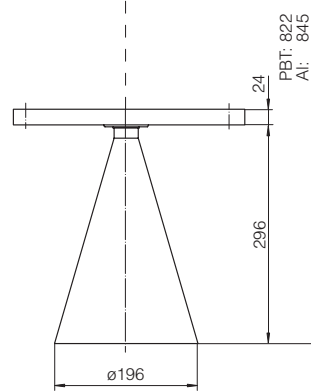
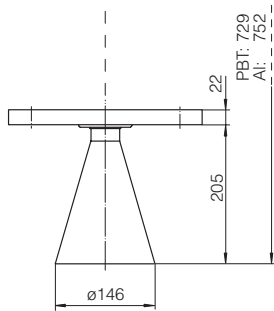
Aluminium housing with Ex d terminal compartment



DN 50 PN 40 C

DN 80 PN 40 C

DN 100 PN 16 C



DN 150 PN 16 C

DN 200 PN 16 C

DN 250 PN 16 C



VEGADIS 50

External indication and adjustment unit for connection of VEGAPULS series 40 and 50, VEGASON 50 and VEGAFLEX 50 sensors

Suitable for external indication of the measured values and external adjustment of sensors

- digital and quasi-analogue indication of measured values
- can be mounted up to 25 m away from the sensor
- module for adjustment module MINICOM



Indicating range : -9999...9999, with individually adjustable decimal point

Housing protection : IP66/IP67



Approval
EX.X ATEX II 1 G EEx ia IIC T6

Adjustment module MINICOM (plug-in)
X without
B mounted

Indication
X without
A mounted

DIS50

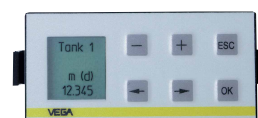
- Dimensions see chapter "Indication and adjustment"

MINICOM

Pluggable adjustment module for VEGASON, VEGAPULS and VEGAFLEX series 50 and VEGAPULS series 40 sensors

Suitable for adjustment directly on the sensor or separate in conjunction with VEGADIS 50 for 4...20mA or Profibus PA sensors

- 6-key adjustment
- 4-line display for menu-driven clear text parameter adjustment



MINICOM.